

Catalog

BB

1. Catalog
2. Charger
3. PMU-Buck-LDO
4. PMU-Codec
5. SOC GPIO/Func Interface
6. SOC Media Interface
7. SOC Memory Interface
8. SOC RF Interface
9. SOC PWR Interface
10. Reserved
11. SOC GND
12. Reserved
13. Battery management/Battery
14. Reserved
15. eMMC&LPDDR3
16. Battery/Micro USB Connector
17. Speaker and Vibrator
18. MIC and Receiver
19. Headphone port
20. LCD interface and backlight driver
21. Main/Slave Camera and Flash LED
22. Sensor
23. SIM/TF card
24. Keypad/LED/Status indicator
25. Touch interface
26. Test Points/GND/Shields
27. Reserved
28. Reserved
29. Reserved
30. Reserved

RF

- 31-RF Interface
- 32-TCXO
- 33-RF PMU
- 34-RF Tranceiver 0
- 35-TRX B17/B28
- 36-RF Front End MMMBPA
- 37-RF Front End B7/41
- 38-TRX B1/2/3
- 39-TRX B5/8
- 40-TRX B7/41
- 41-PRX GSM1800
- 42-TRX B41
- 43-TRX B17/28/20
- 44-DRX LNA B2/3
- 45-DRX LNA B7/1
- 46-DRX LNA B38/41
- 47-DRX LNA B5/8/17/28
- 48-DRX B2/3
- 49-DRX B7
- 50-DRX B7/41/38
- 51-DRX B20/28/17
- 52-DRX B5/8
- 53-Reserved
- 54-Reserved
- 55-Main Ant Switch
- 56-Ant matching
- 57-Div Ant Switch
- 58-Ant tunner

RF

- 59-Reserved
- 60-Reserved
- 61-Reserved
- 62-Reserved
- 63-Div Ant Switch

wifi/BT/FM/GPS

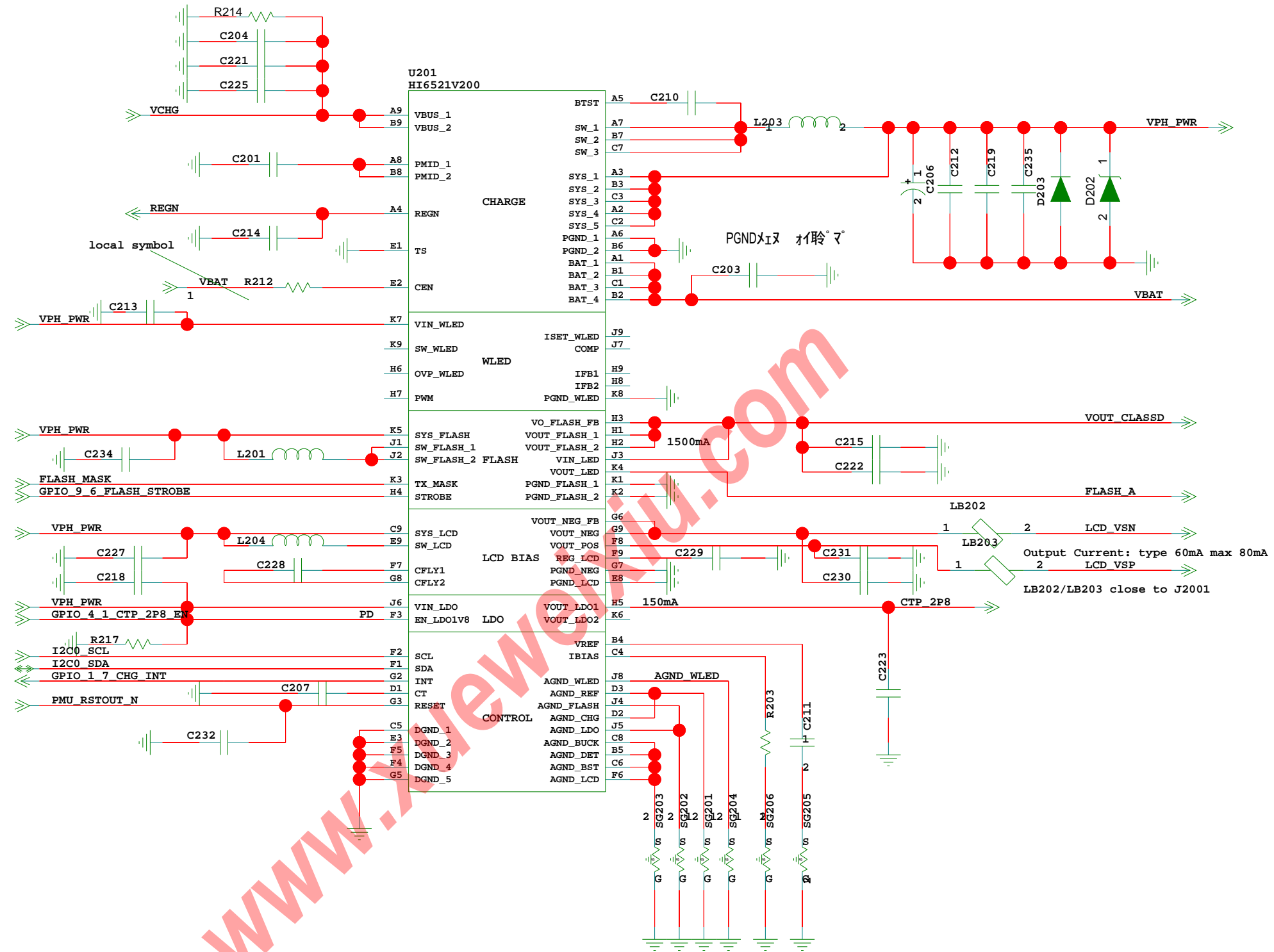
- 64-BT_WLAN_FM_GPS
- 65-BT_WLAN_FM_GPS
- 66-WIFI RF Front End
- 67-GPS RF Front End

- 68-Reserved
- 69-Reserved

The type and specification of the components refer to the BOM

					17-03-2015_09:06
				NA	2015.02.08
				ECA NO	DATE
DESIGNED	LIMIN 00128692			HL3ALICEM	03023ARE_SCHZH
REVIEWED	QIUHONGBING 00248133				
		VER	PART_NUMBER	SHEET	1-Catalog69
		F	03023ARE		HUAWEI TECH CO.,LTD.

2. Charger



The type and specification of the components refer to the BOM

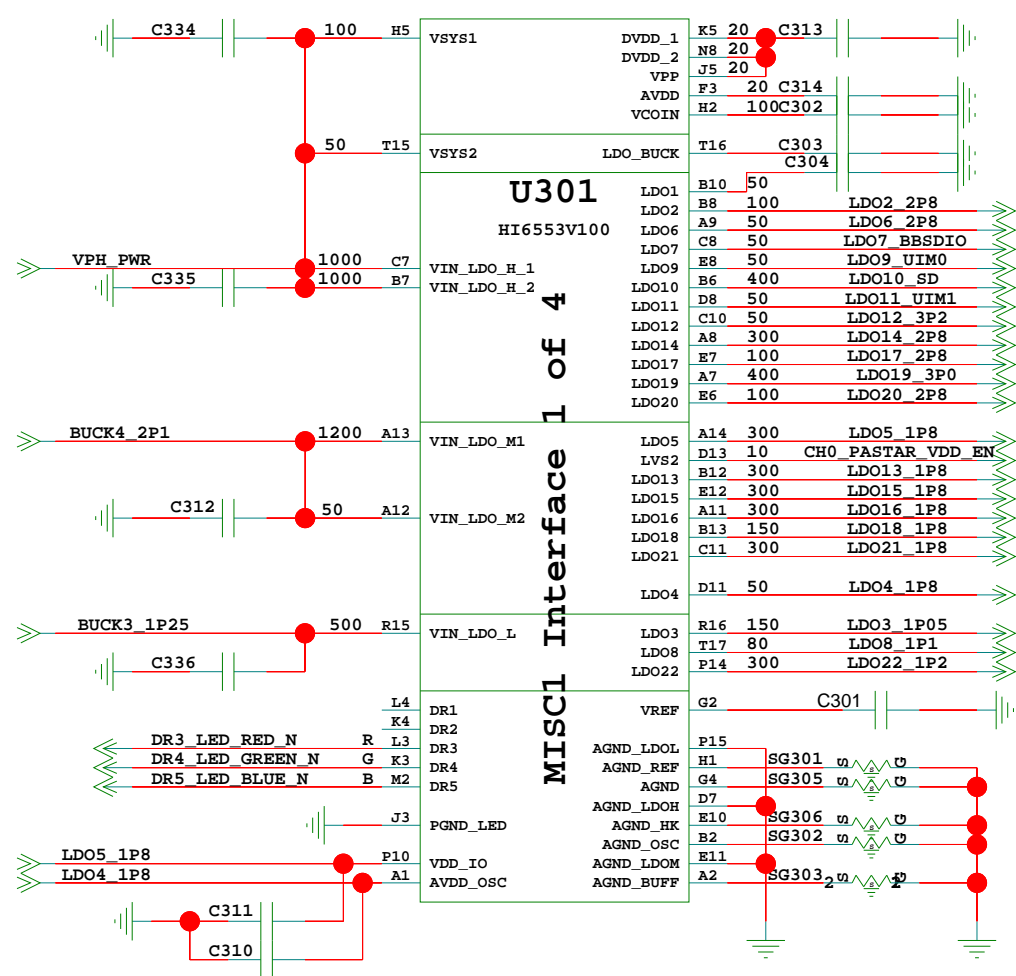
				27-03-2015_09:04
				2015.02.08
			ECA NO	DATE
DESIGNED	LIMIN 00128692	HL3ALICEM		03023ARE_SCHZH
REVIEWED	QIUHONGBING 00248133			
		VER	PART_NUMBER	SHEET 2-Of-6
		F	03023ARE	HUAWEI TECH CO.,LTD.

3. PMU-LDO/Buck

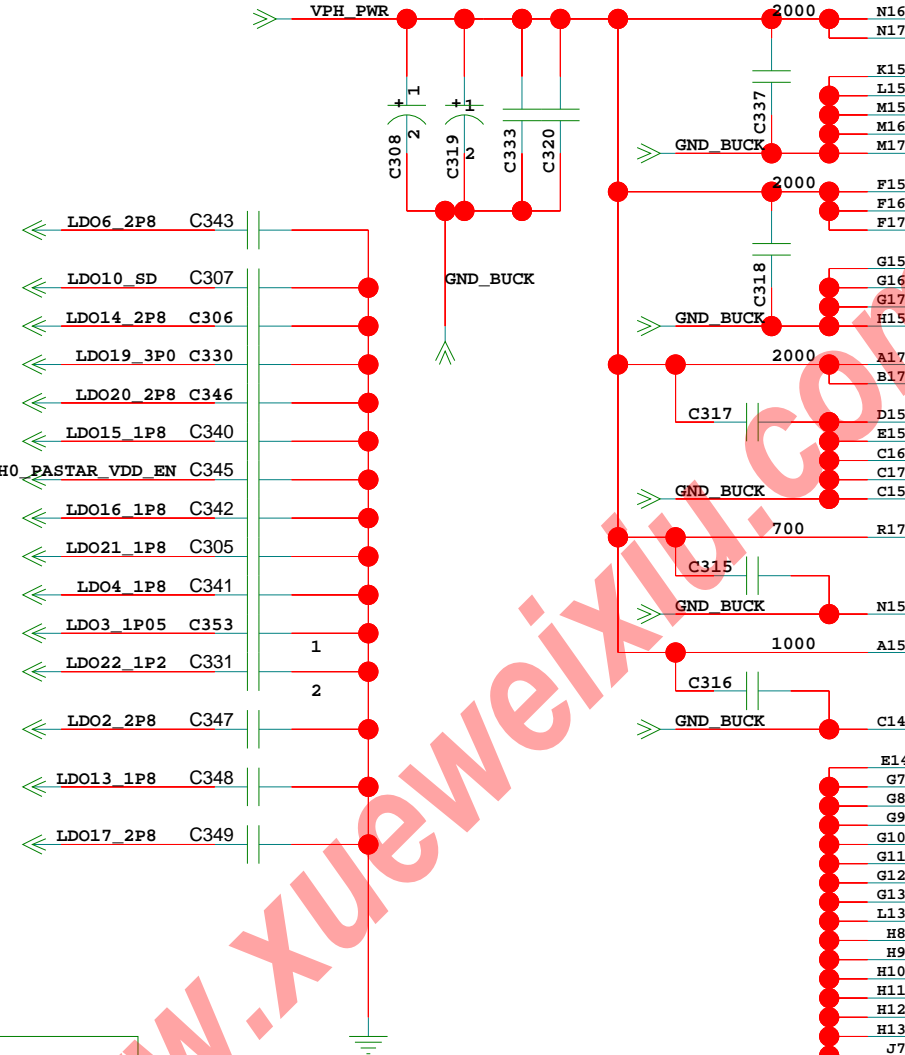
LDO

BUCK

$$I_{in} = (I_{out} * V_{out} - \max / 0.8 / V_{in} - \min) + 200\text{mA}$$



output	default	current	voltage	function
LDO1	OFF	50	2.1	connect in PMU, no device
LDO2	OFF	100	2.8	analog 2P8 Sense/LCD
LDO3	ON	150	1.05	BB-VDD ON
LDO4	ON	50	1.8	PMU-DCXO/XO
LDO5	ON	300	1.8	all digital IO 1P8
LDO6	ON	50	2.8	CLK 19M2 RFIC 2V85/PMU/DAC
LDO7	OFF	50	3.0	SoC-IO VDD285 SD
LDO8	ON	80	1.1	SoC-AVDD11 ABB
LDO9	OFF	50	2.85	SoC SIM1 & SIM CARD1
LDO10	OFF	400	3.0	SD CARD
LDO11	OFF	50	2.85	SoC SIM2 & SIM CARD2
LDO12	ON	50	3.2	PMU MIC & BB USB
LDO13	OFF	300	1.8	Camera:M&S IO,S Core
LDO14	OFF	300	2.8	M & S Camera dvdd28
LDO15	OFF	300	1.8	PMU codec avdd18
LDO16	OFF	300	1.8	
LDO17	OFF	100	2.8	Vibrator2V8
LDO18	ON	150	1.8	all analog1V8
LDO19	ON	400	3.0	eMMC VDDM 3P0
LDO20	OFF	100	2.8	TP_IO
LDO21	OFF	300	1.8	
LDO22	OFF	300	1.2	M camera core
LVS2		10	1.8	PAStar VDD



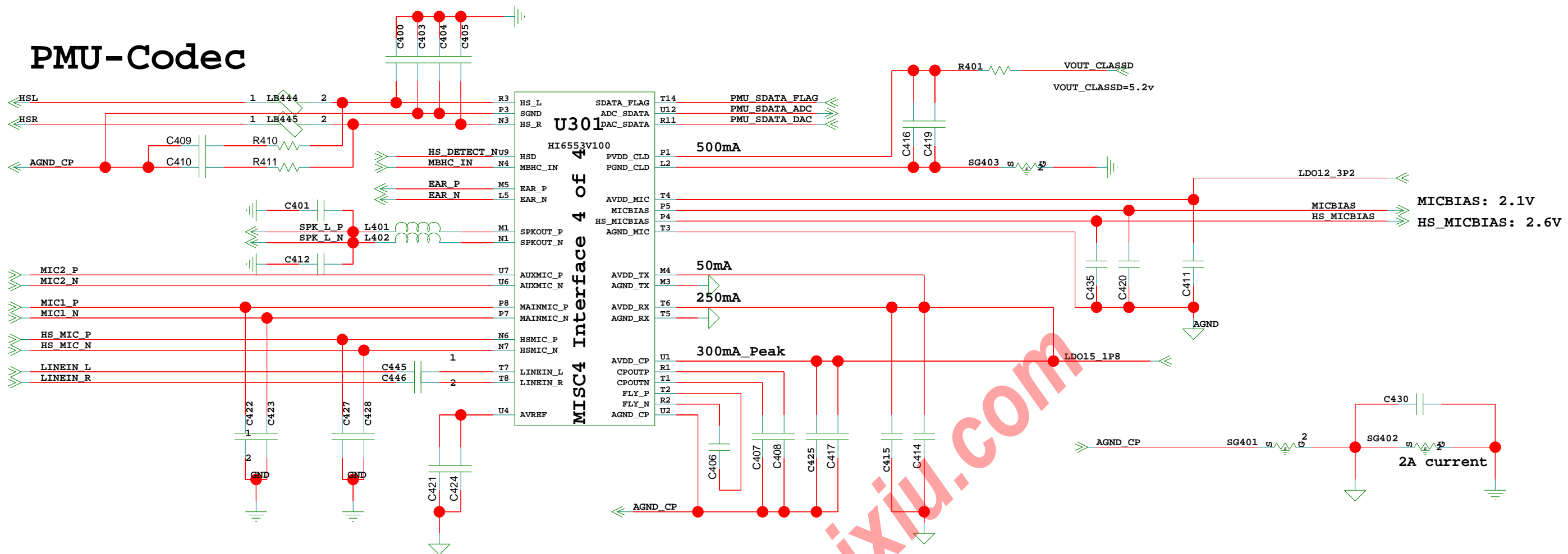
BUCK	ON	current	voltage	function
BUCK0	ON	3500	1.05	ACPU
BUCK1	ON	3500	1.05	ACPU
BUCK2	ON	3000	1.05	GPU, IP core
BUCK3	ON	1000	1.25	DDR PHY & DDR3, LDO L
BUCK4	ON	1000	2.1	LDO M

The type and specification of the components refer to the BOM

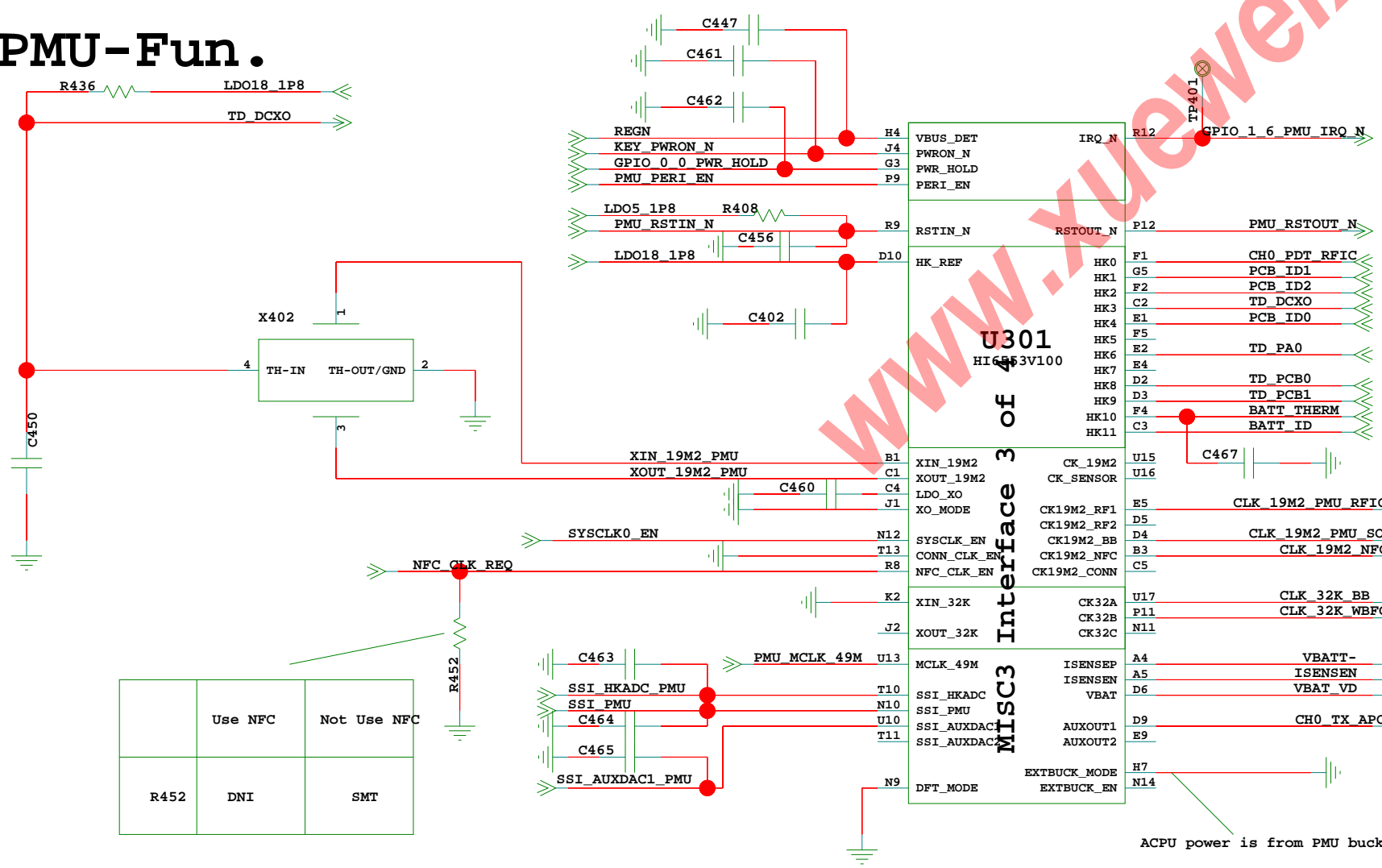
DESIGNED	LIMIN 00128692	HL3ALICEM	03023ARE_SCHZH
REVIEWED	QIUHONGBING 00248133	VER	PART_NUMBER
		F	03023ARE
		SHEET	3-PMU/Buck/LDO
		HUAWEI TECH CO.,LTD.	

MAX CURRENT $I_{\text{max}} = 20\text{A}$

4. PMU-Codec



PMU-Fun.



Board ID	TL00	L21	UL00	L02	L23
NO SPK PA	707	717	727	737	747
SPK PA	708	718	728	738	748

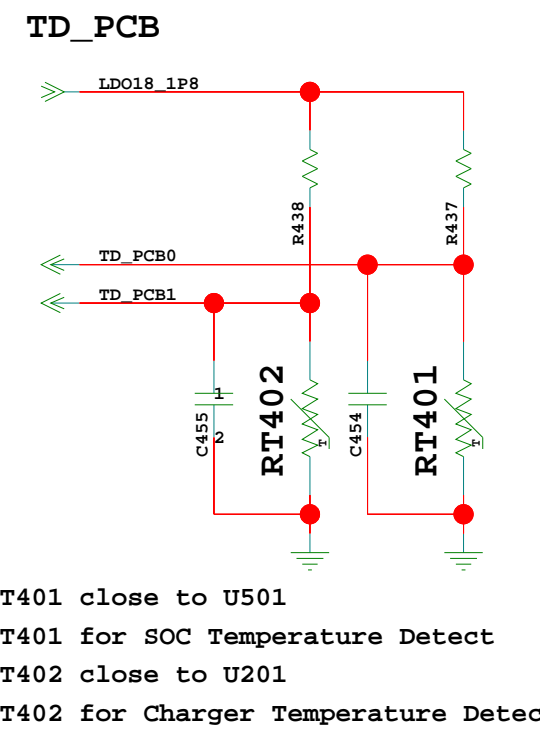
Board ID

Board ID Resistor Set

ID	UP RES	DOWN RES
0	NC	0K
1	150K	22K
2	100K	30K
3	200K	100K
4	150K	121K
5	121K	150K
6	51K	100K
7	30K	100K
8	20K	150K
9	150K	NC

Resistor Code

0K	07090911
20K	07092448
22K	07091172
30K	07091299
51K	07091302
100K	07091246
121K	07091176
150K	07092138
200K	07091406



The type and specification of the components refer to the BOM

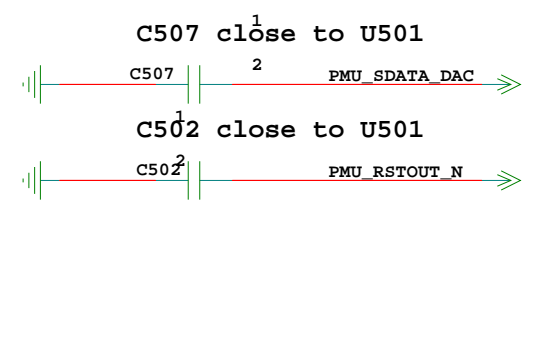
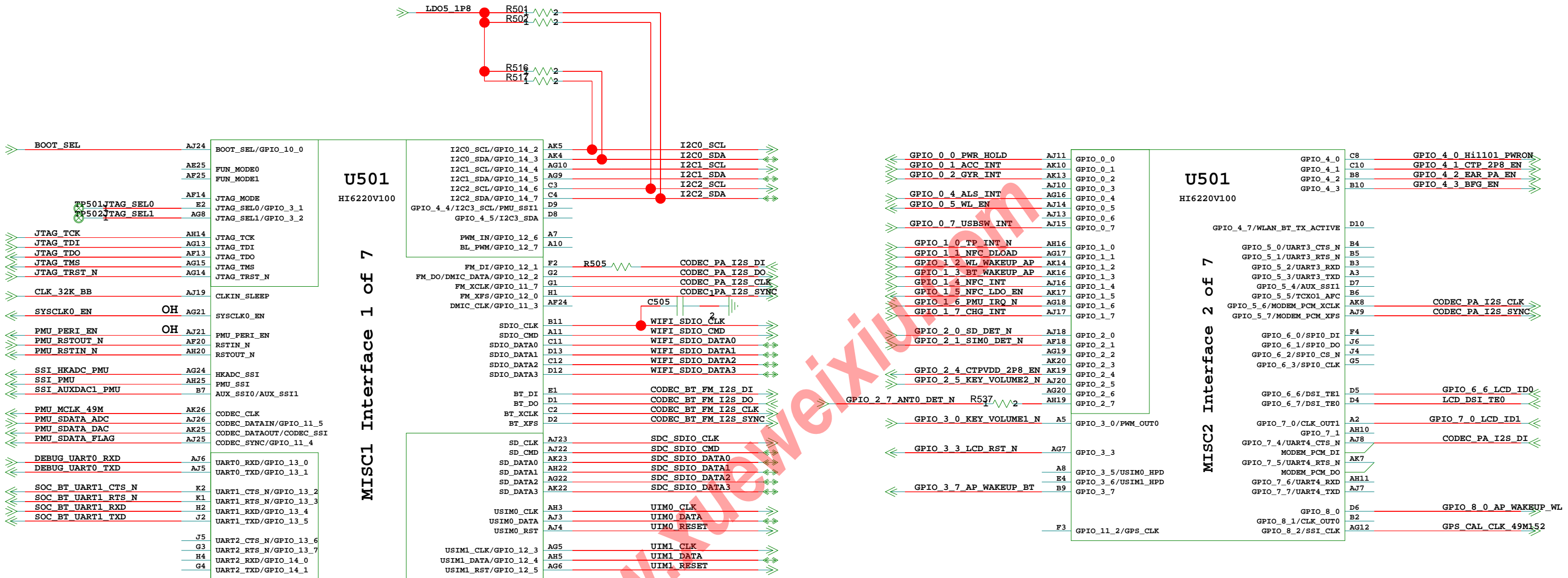
DESIGNED	LIMIN 00128692	HL3ALICEM	03023ARE_SCHZH
REVIEWED	QIUHONGBING 00248133		
VER	F	PART_NUMBER	03023ARE
SHEET	4-PMUFCod@SHEEMTOTAL=		HUAWEI TECH CO.,LTD.

	Use NFC	Not Use NFC
R452	DNI	SMT

ACPU power is from PMU buck0&1

2015.02.08
 ECA NO DATE

5. SOC GPIO/Func Interface

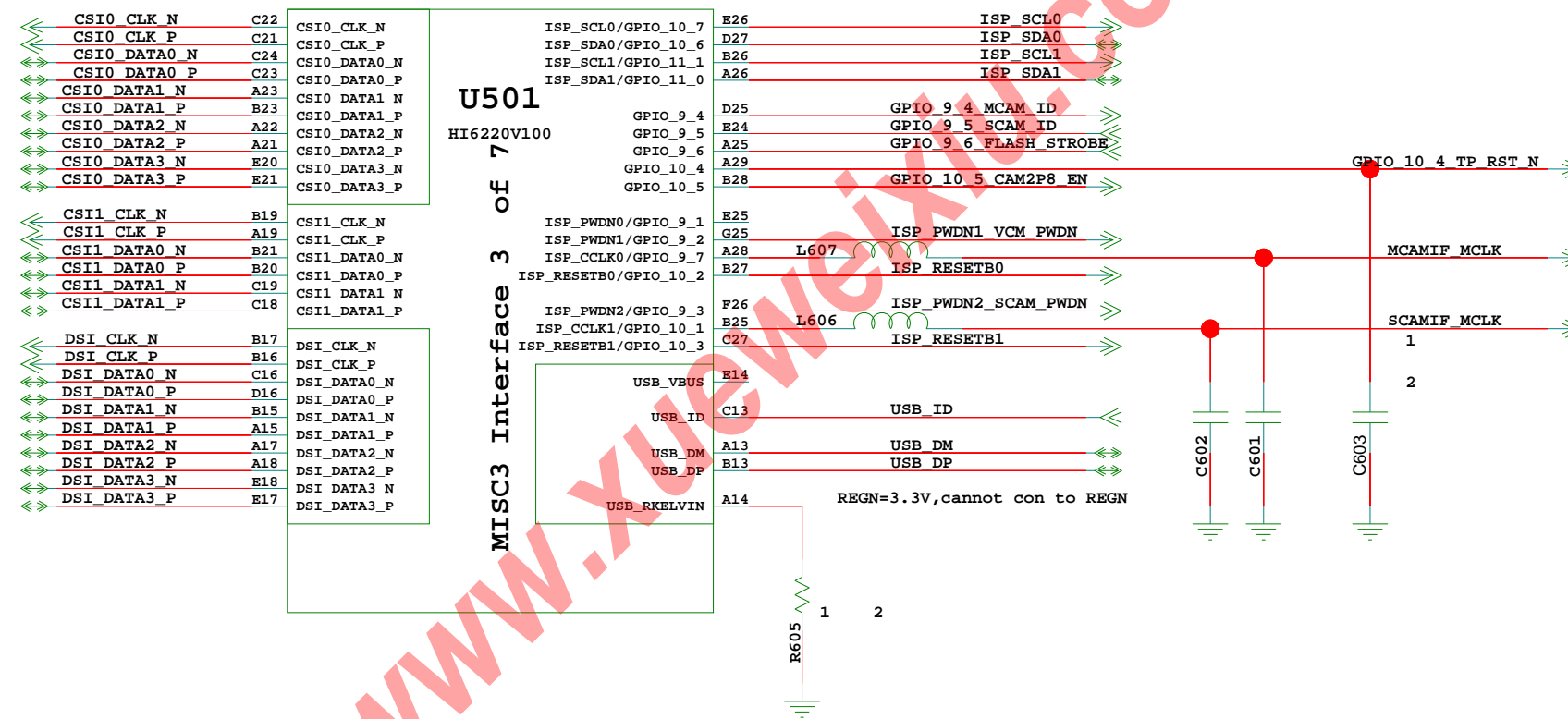


The type and specification of the components refer to the BOM

DESIGNED	DESIGNED=LIMIN 00128692	HL3ALICEM	03023ARE_SCHZH
REVIEWED	REVIEWED=QIUHONGBING 00248133	VER	SHEET @SHEET=5-@SHEETTOTAL=6
		F	HUAWEI TECH CO.,LTD.

2015.02.08
ECA NO DATE

6. SOC Media Interface

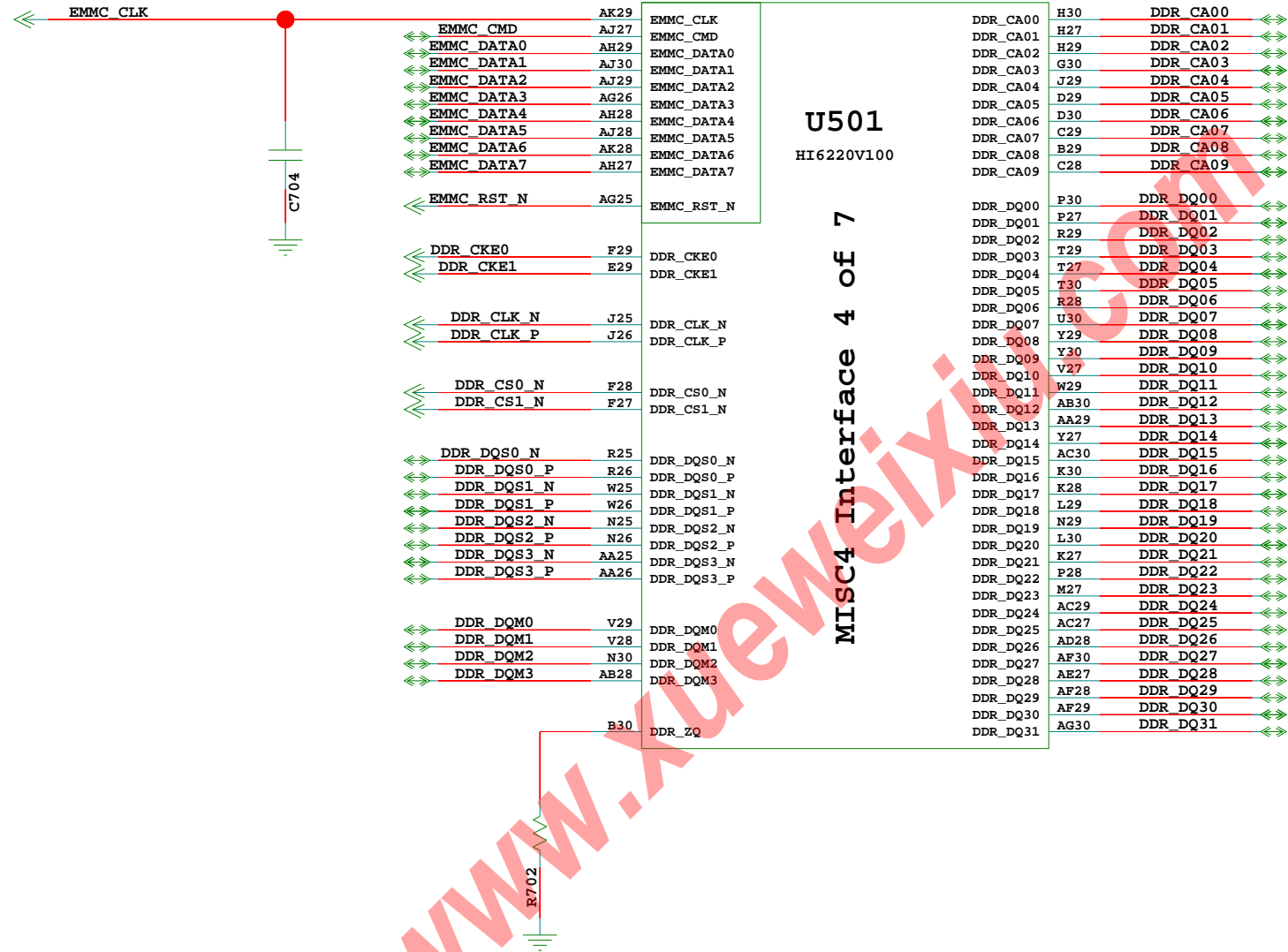


The type and specification of the components refer to the BOM

					2015.02.08
				ECA NO	DATE
DESIGNED	LIMIN 00128692	HL3ALICEM		03023ARE_SCHZH	
REVIEWED	QIUHONGBING 00248133				
		VER	PART_NUMBER	SHEET 6-SoCMedia	
		F	03023ARE	HUAWEI TECH CO.,LTD.	

7. SOC Memory Interface

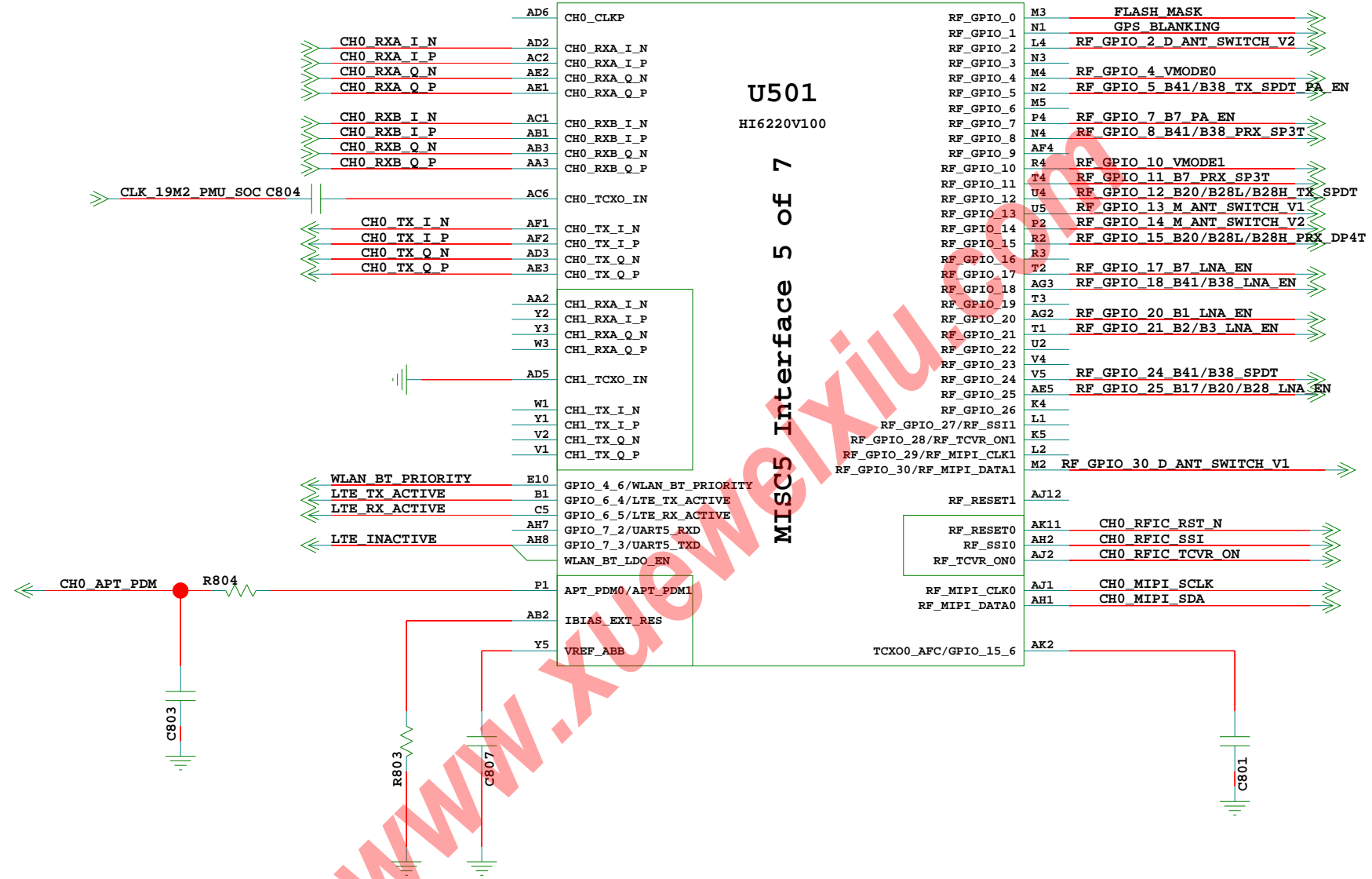
If there is no series resist R703f-
Need Test Point for EMMC_CLK EMMC_CMD EMMC_DATA0



The type and specification of the components refer to the BOM

					2015.02.08
				ECA NO	DATE
DESIGNED	LIMIN 00128692	HL3ALICEM		03023ARE_SCHZH	
REVIEWED	QIUHONGBING 00248133				
		VER	PART_NUMBER	SHEET 7-SoC Mem 69y	
		F	03023ARE	HUAWEI TECH CO.,LTD.	

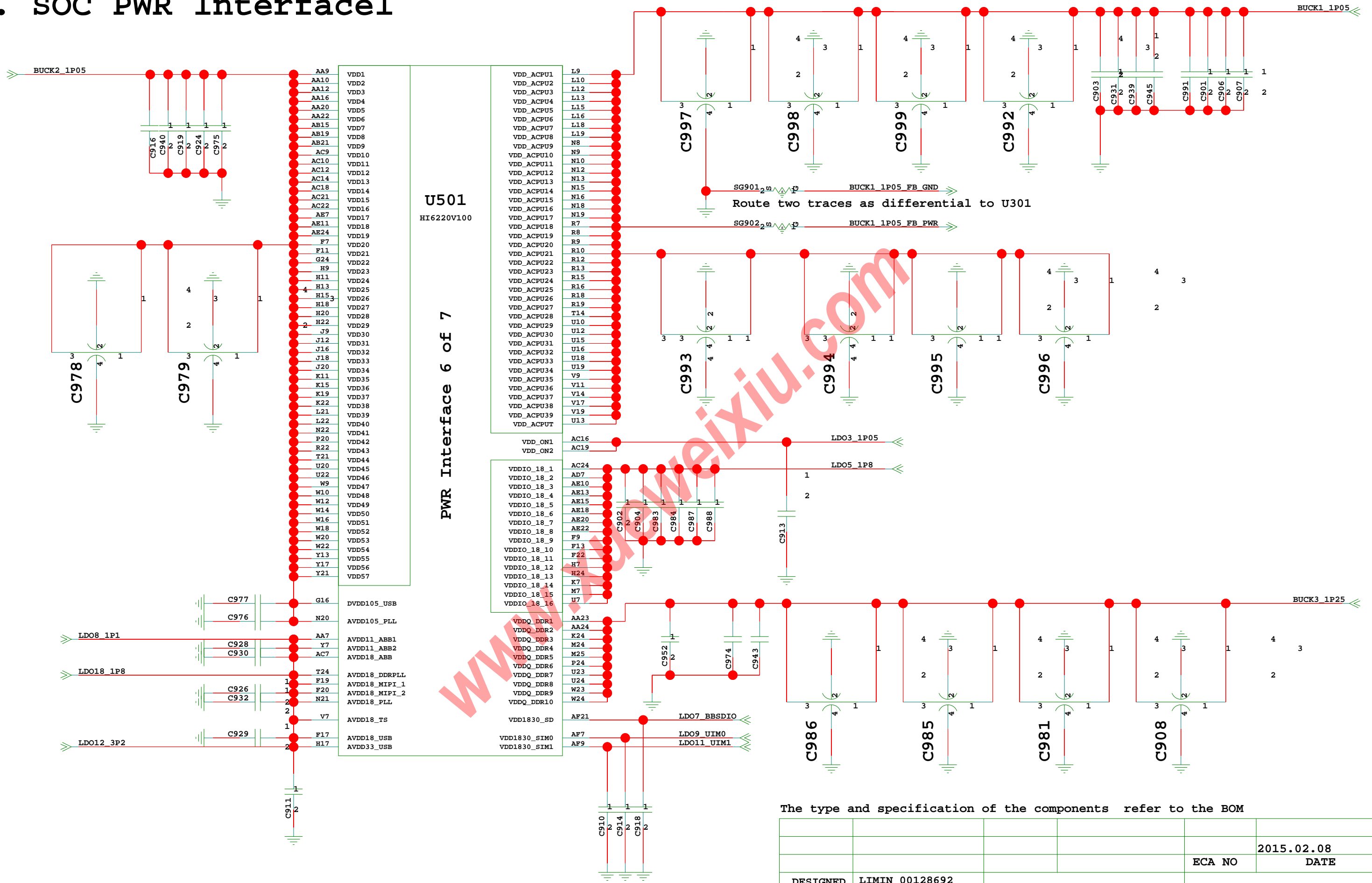
8. SOC RF Interface



The type and specification of the components refer to the BOM

					2015.02.08
				ECA NO	DATE
DESIGNED	LIMIN 00128692				
REVIEWED	QIUHONGBING 00248133				
		VER	PART_NUMBER	SHEET	8-SoC OFRF 69
		F	03023ARE		HUAWEI TECH CO.,LTD.

9. SOC PWR Interfacel



The type and specification of the components refer to the BOM

DESIGNED	LIMIN 00128692	HL3ALICEM	03023ARE_SCHZH
REVIEWED	QIUHONGBING 00248133	VER F	PART_NUMBER 03023ARE
		SHEET 9-SoCPow69	HUAWEI TECH CO.,LTD.
		ECA NO	2015.02.08 DATE

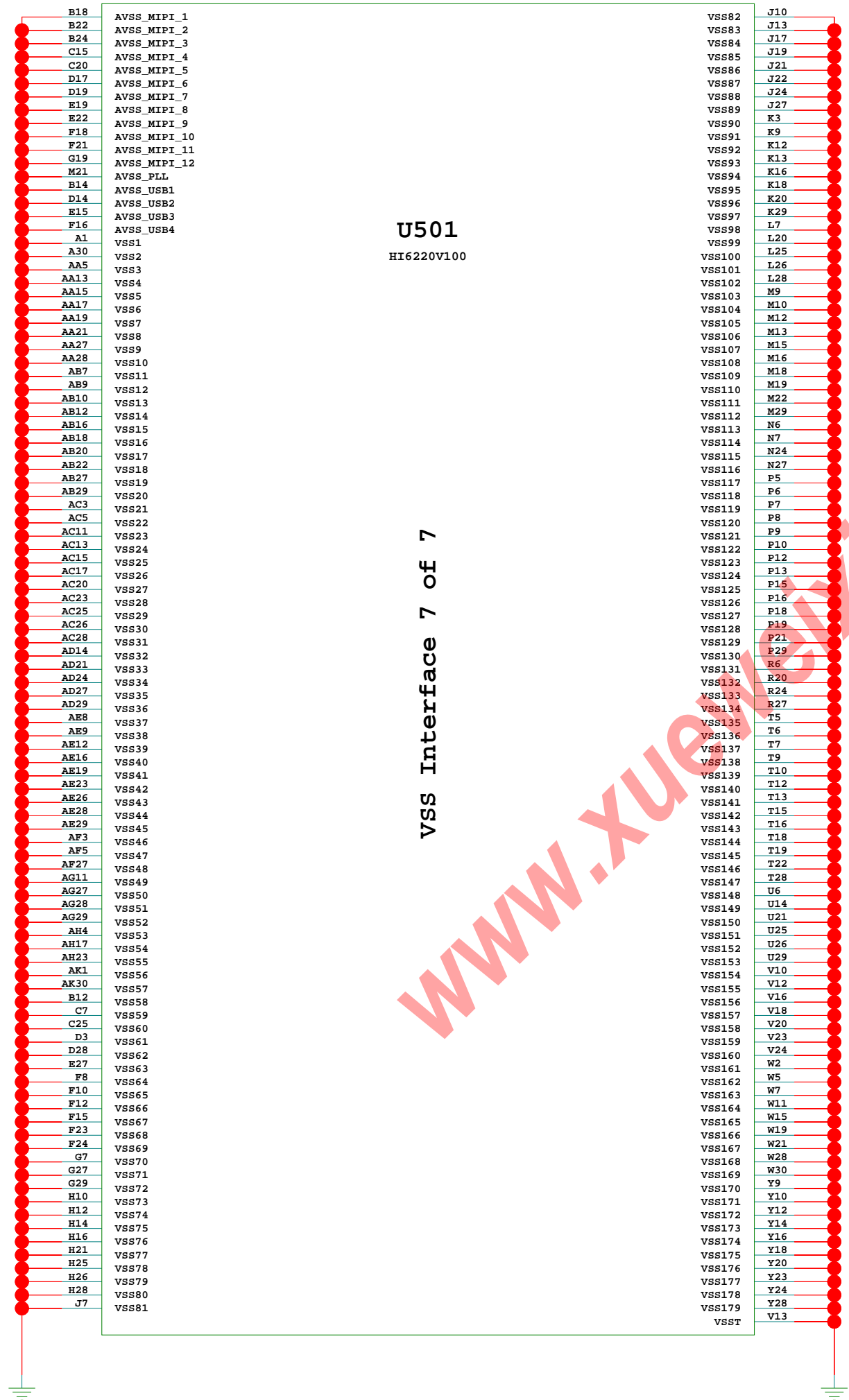
10. Reserved

www.xueweixiu.com

The type and specification of the components refer to the BOM

					2015.02.08
				ECA NO	DATE
DESIGNED	LIMIN 00128692	HL3ALICEM		03023ARE_SCHZH	
REVIEWED	QIUHONGBING 00248133				
		VER	PART_NUMBER	SHEET 10-Reserved	
		F	03023ARE	HUAWEI TECH CO.,LTD.	

11. SOC GND

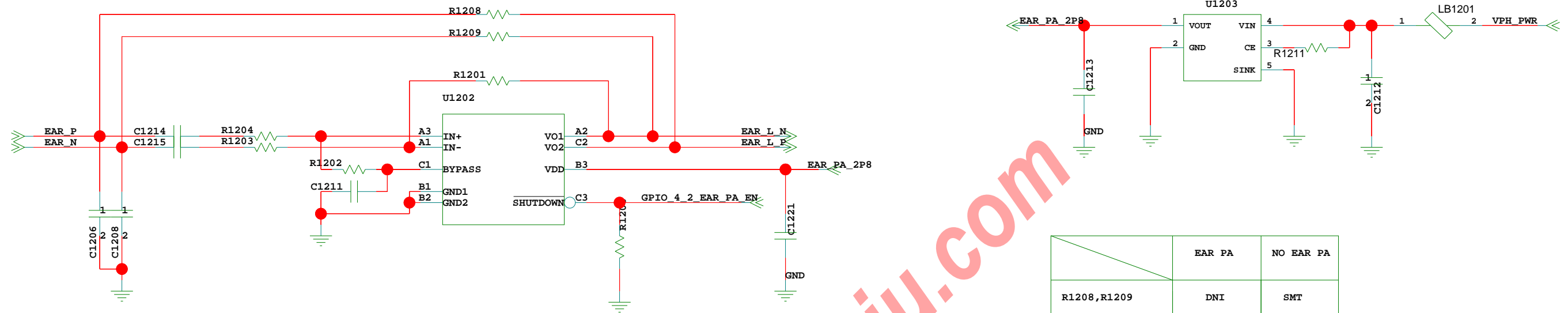


The type and specification of the components refer to the BOM

					2015.02.08
				ECA NO	DATE
DESIGNED	LIMIN 00128692	HL3ALICEM		03023ARE_SCHZH	
REVIEWED	QIUHONGBING 00248133				
		VER	PART_NUMBER	SHEET 11-SOC-GND9	
		F	03023ARE	HUAWAI TECH CO.,LTD.	

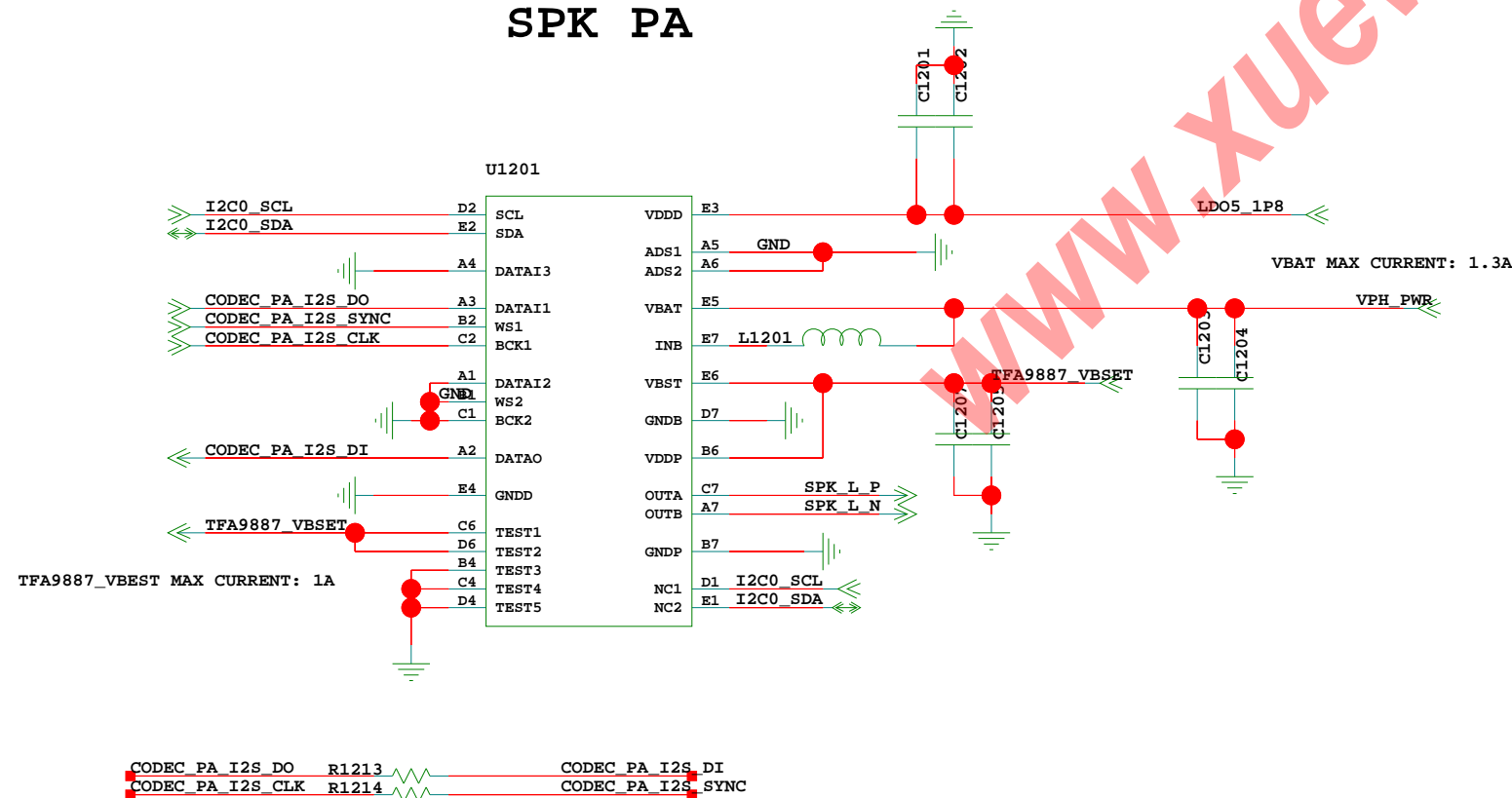
12. Audio PA

EAR PA



	EAR PA	NO EAR PA
R1208, R1209	DNI	SMT
C1214, C1215, R1201, R1202, R1203, R1204, U1202, C1211, R1206, C1221, C1213, U1203, R1211, C1212, LB1201	SMT	DNI

SPK PA

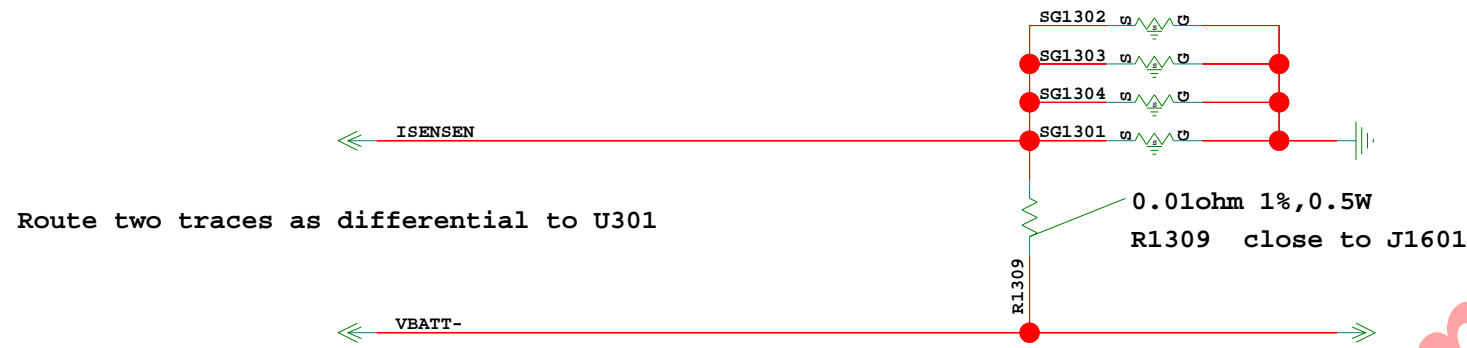


	SPK PA	NO SPK PA
R401, R406, R407, C416	DNI	SMT
U1201, C1201, C1202, C1203, C1204, C1205, C1207, C1206, L1201, C416, R506	SMT	DNI

The type and specification of the components refer to the BOM

			27-03-2015_09:04
			2015.02.08
		ECA NO	DATE
DESIGNED	LIMIN 00128692	HL3ALICEM 03023ARE_SCHZH	
REVIEWED	QIUHONGBING 00248133		
		VER	PART_NUMBER
		F	03023ARE
		SHEET 12-Audio PA	
		HUAWEI TECH CO.,LTD.	

13. Battery management/Battery



www.xuweiixiu.com

The type and specification of the components refer to the BOM

					2015.02.08
				ECA NO	DATE
DESIGNED	LIMIN 00128692	HL3ALICEM		03023ARE_SCHZH	
REVIEWED	QIUHONGBING 00248133				
		VER	PART_NUMBER	SHEET 13-Battery Manage	
		F	03023ARE	HUAWEI TECH CO.,LTD.	

14. Reserved

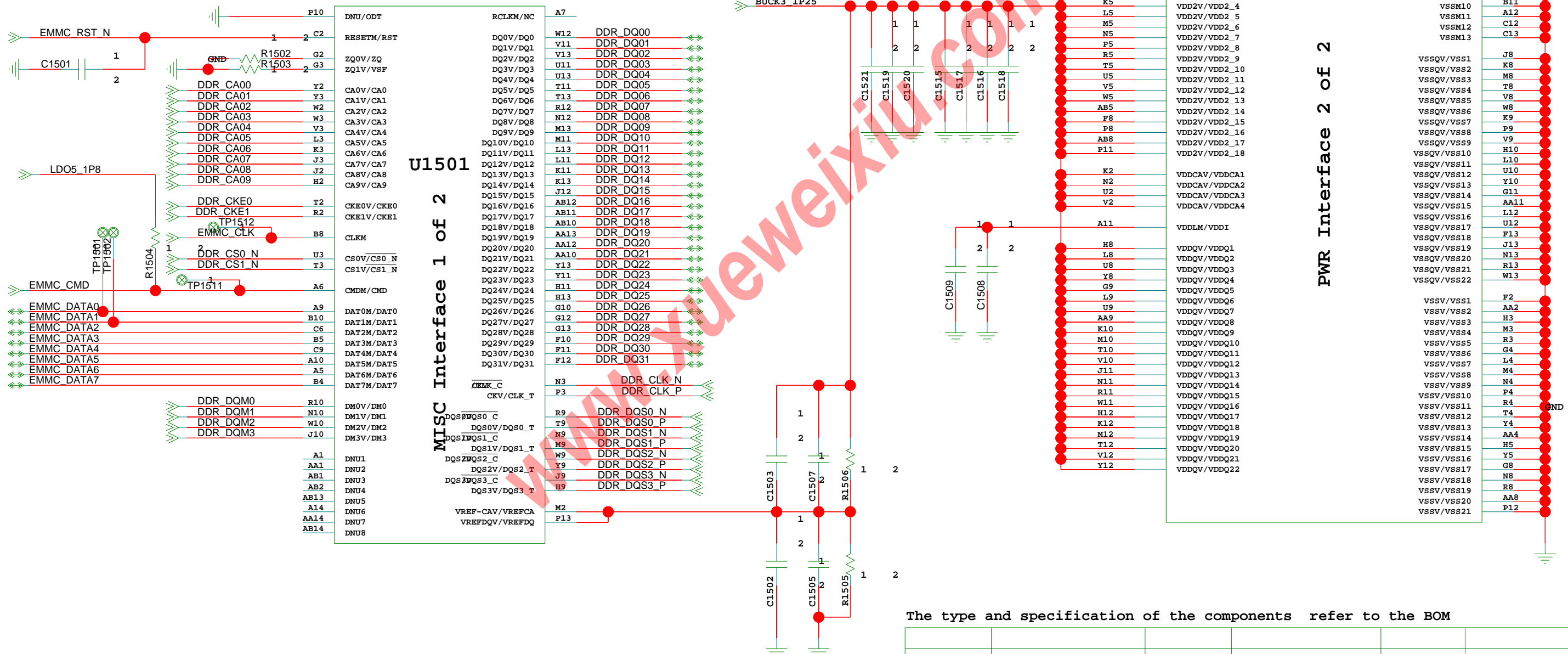
www.xueweixiu.com

The type and specification of the components refer to the BOM

					2015.02.08
				ECA NO	DATE
DESIGNED	LIMIN 00128692	HL3ALICEM		03023ARE_SCHZH	
REVIEWED	QIUHONGBING 00248133				
		VER	PART_NUMBER	SHEET 14-Reserved	
		F	03023ARE	HUAWEI TECH CO.,LTD.	

15. eMCP

eMCP: 2G LPDDR3+16G EMMC
code:40060656

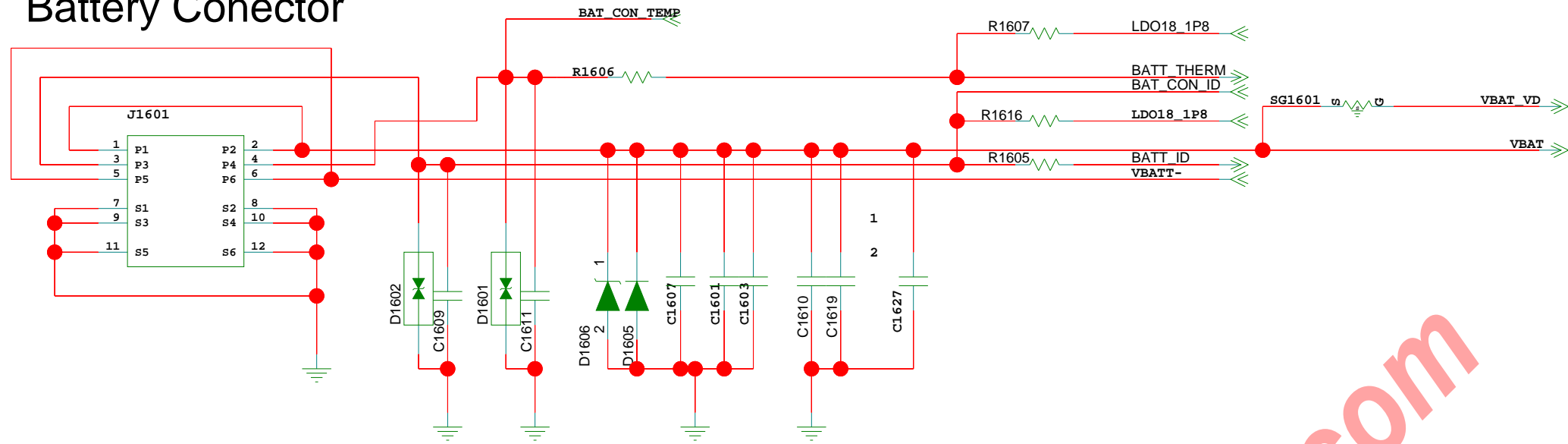


The type and specification of the components refer to the BOM

			2015.02.08	
			ECA NO	DATE
DESIGNED	LIMIN 00128692	HL3ALICEM		03023ARE_SCHZH
REVIEWED	QIUHONGBING 00248133			
		VER	PART_NUMBER	SHEET 15-eMCP 69
		F	03023ARE	HUAWEI TECH CO.,LTD.

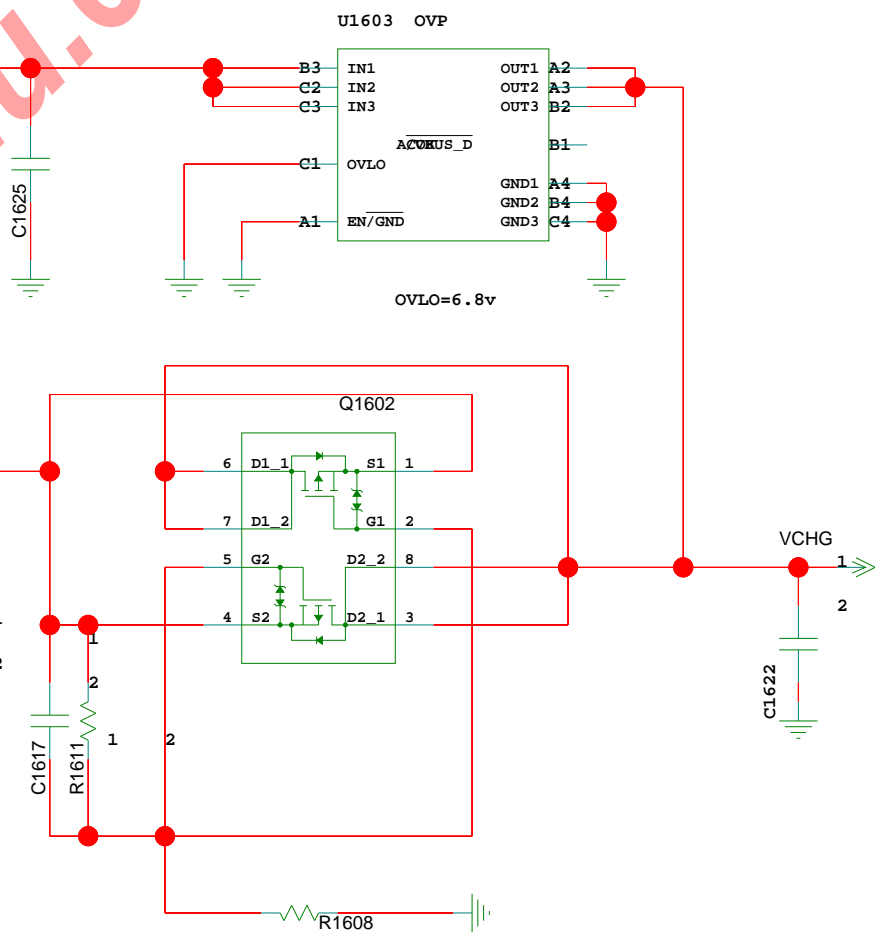
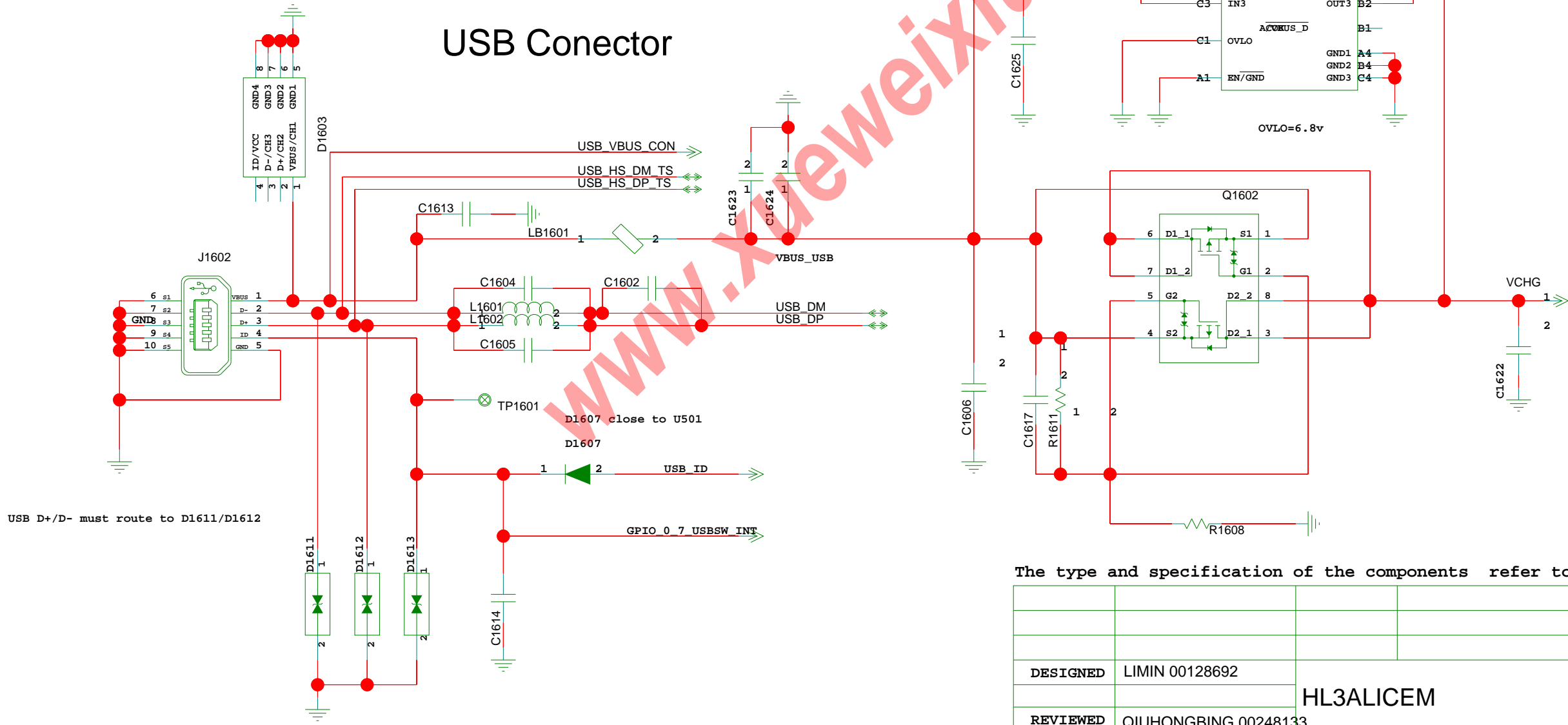
16. Battery/Micro USB Connector

Battery Connector



ID CON resistance to GND(k)			
Min	Type	Max	Factory test mode
GND	GND	GND	OTG Mode
	2		Battery Charge
	2.604		Boot USB with AP
	3.208		Force download with BAT
	4.014		Boot with UART
	4.82		Force download without BAT
	6.03		Battery Discharge
	8.03		RF Calibration with AP
	10.03		Phone off current drain test
	14.46		RF Calibration with CP
	17.26		Boot USB with CP

USB Connector

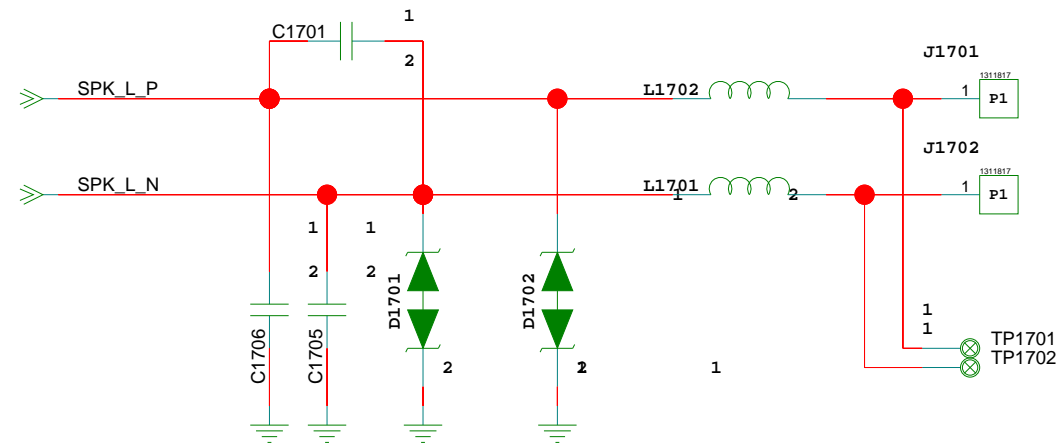


The type and specification of the components refer to the BOM

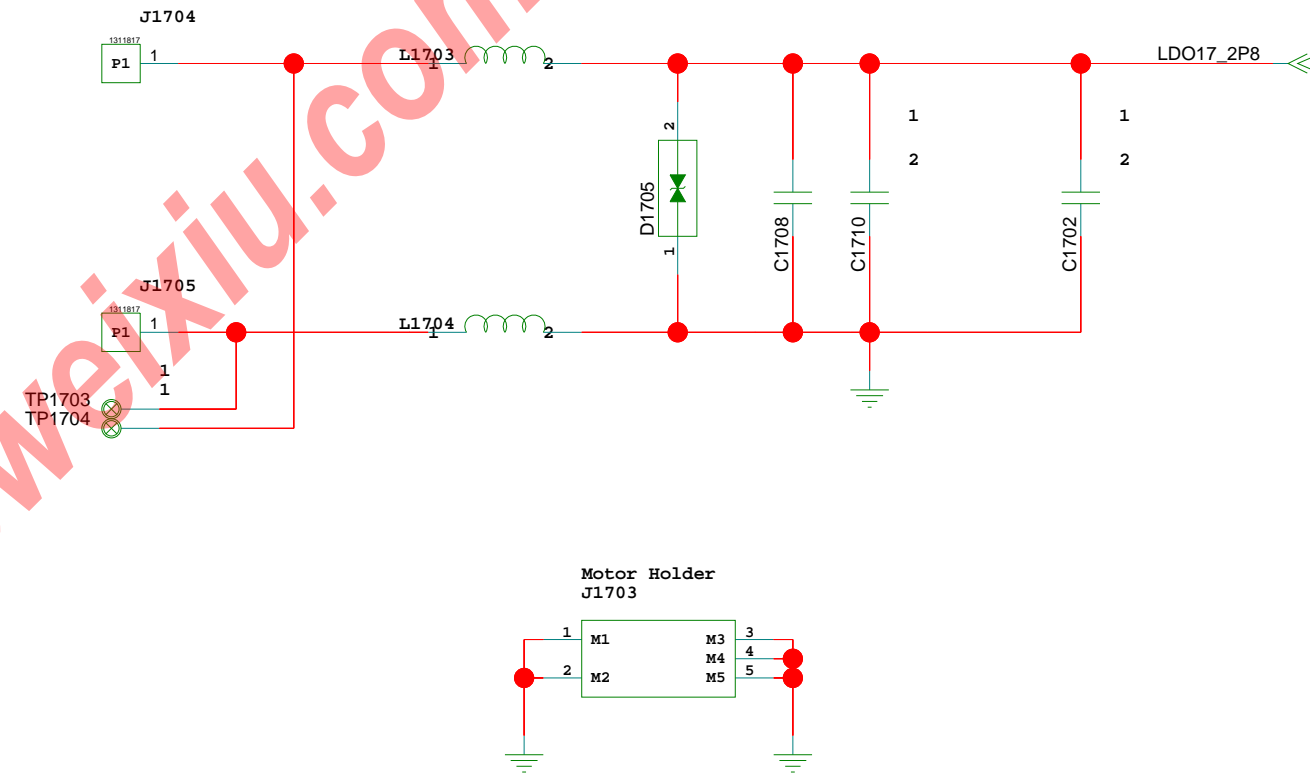
					2015.02.08
				ECA NO	DATE
DESIGNED	LIMIN 00128692	HL3ALICEM		03023ARE_SCHZH	
REVIEWED	QIUHONGBING 00248133	VER	PART_NUMBER	SHEET	16-USB-Battery
		F	03023ARE	HUAWEI TECH CO.,LTD.	

17. Speaker and Vibrator

SPK BOX: 22020150



MOTOR 32050045



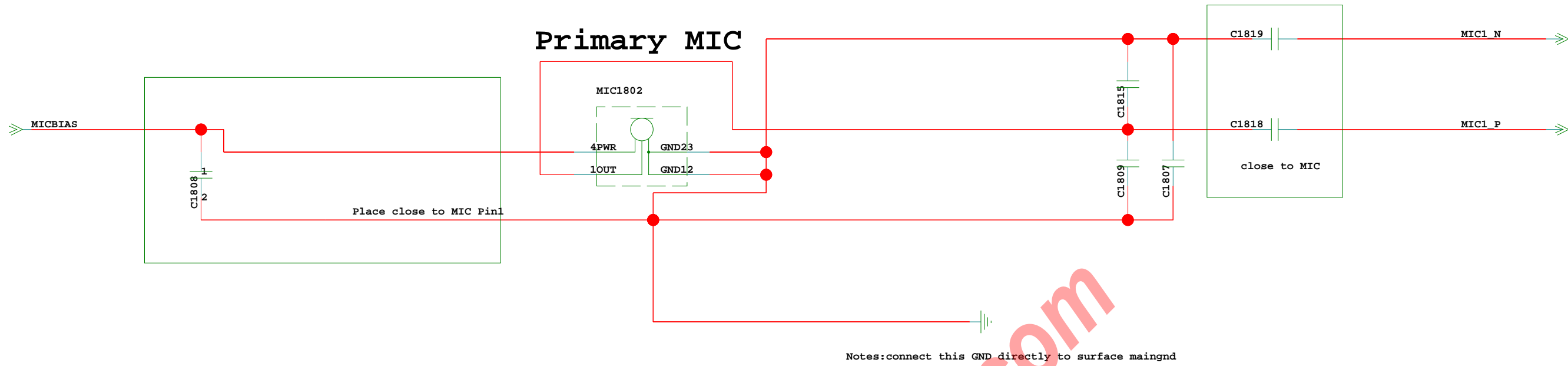
www.xuewenxiu.com

The type and specification of the components refer to the BOM

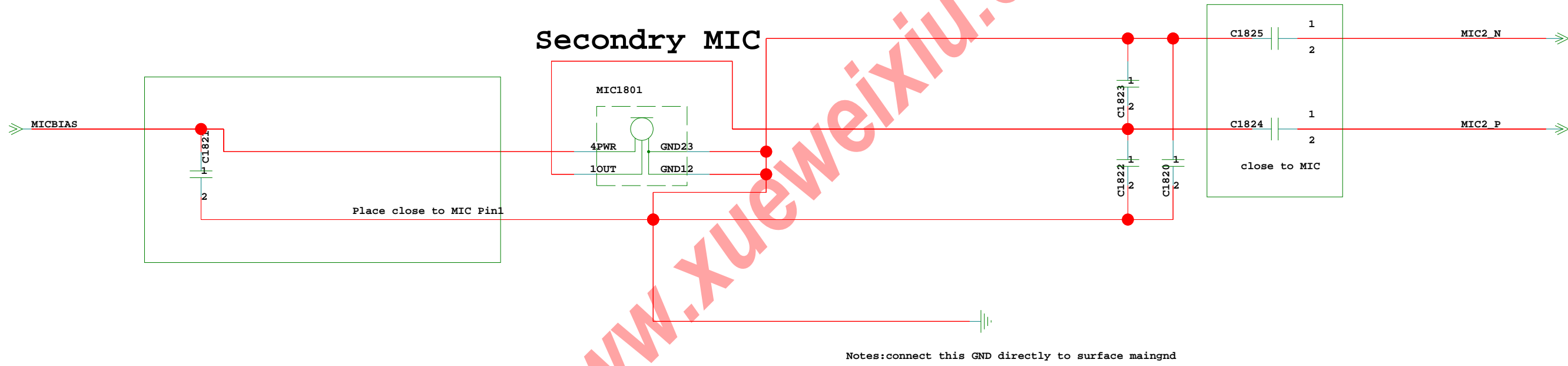
					2015.02.08
				ECA NO	DATE
DESIGNED	LIMIN 00128692	HL3ALICEM		03023ARE_SCHZH	
REVIEWED	QIUHONGBING 00248133	VER	PART_NUMBER	SHEET	17-SPK_Vib 69
		F	03023ARE	HUAWEI TECH CO.,LTD.	

18. MIC and Receiver

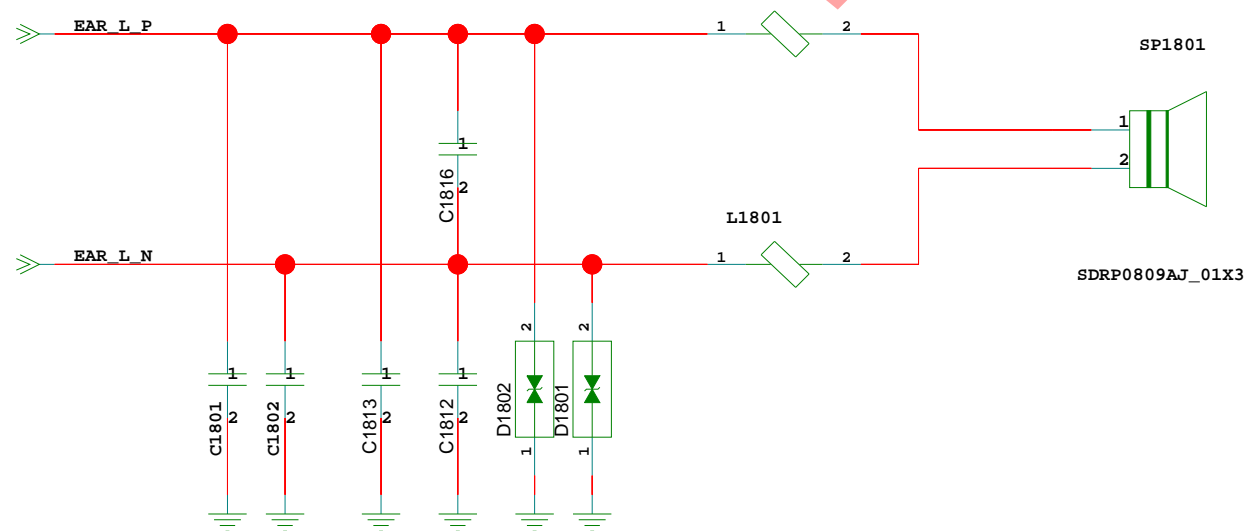
MIC1N and MIC1P should refer to same GND in one layer



MIC2N and MIC2P should refer to same GND in one layer



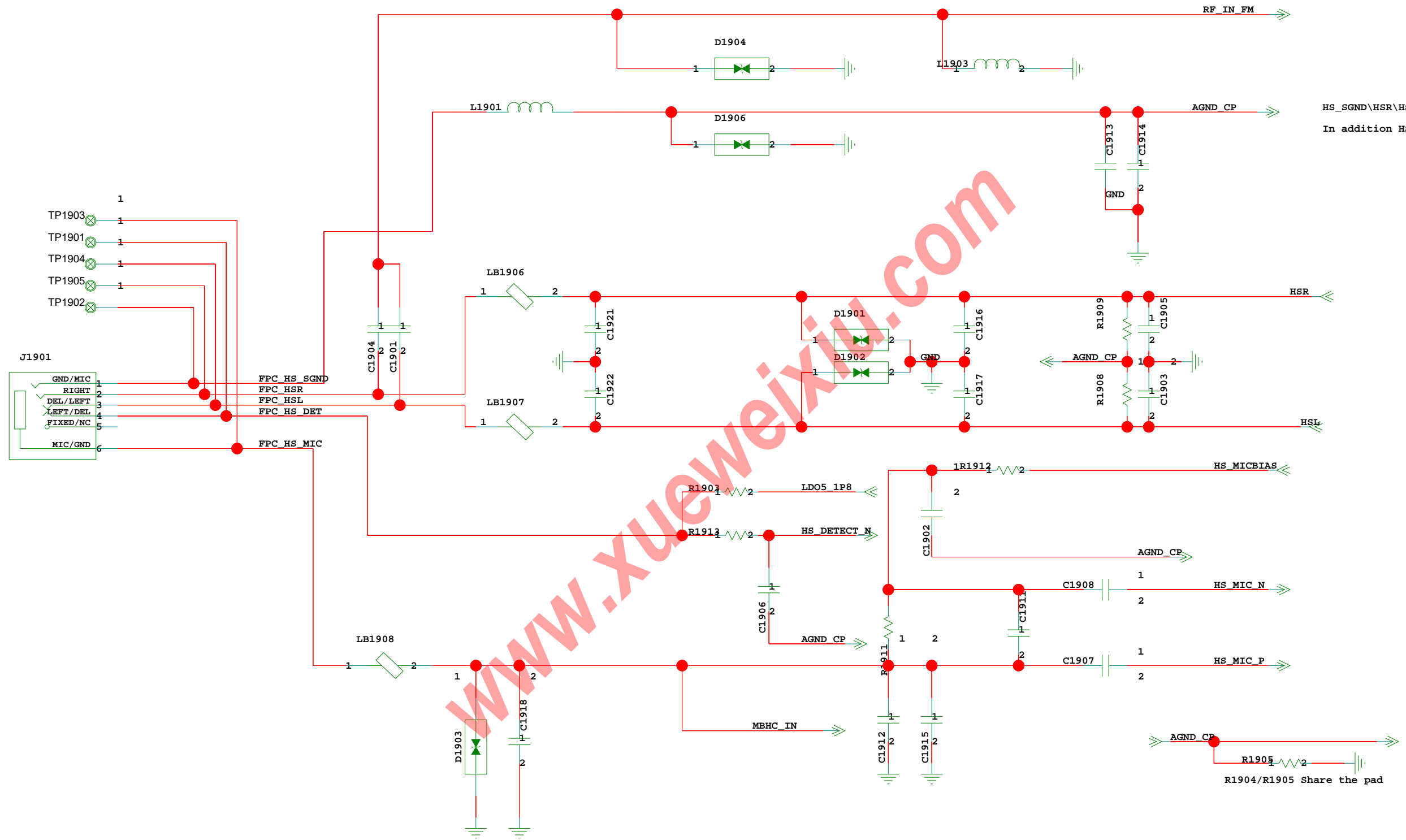
Receiver



The type and specification of the components refer to the BOM

					2015.02.08
				ECA NO	DATE
DESIGNED	LIMIN 00128692	HL3ALICEM		03023ARE_SCHZH	
REVIEWED	QIUHONGBING 00248133			SHEET 18-MIC OF RC69	
		VER	PART_NUMBER		
		F	03023ARE	HUAWEI TECH CO.,LTD.	

19. Headphone port



HS_SGND\HSR\HSL Route together to U301
In addition HS_SGND is between HSR and HSL

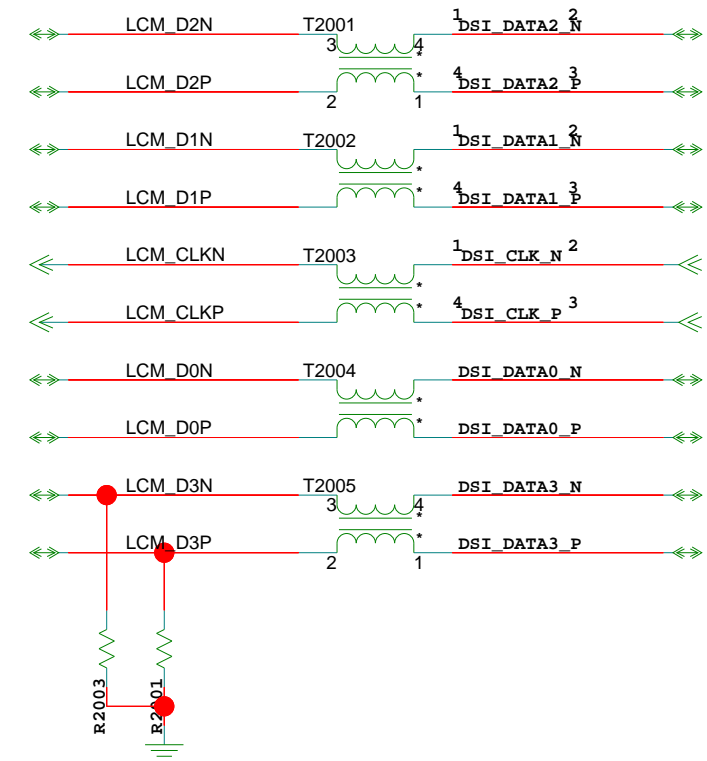
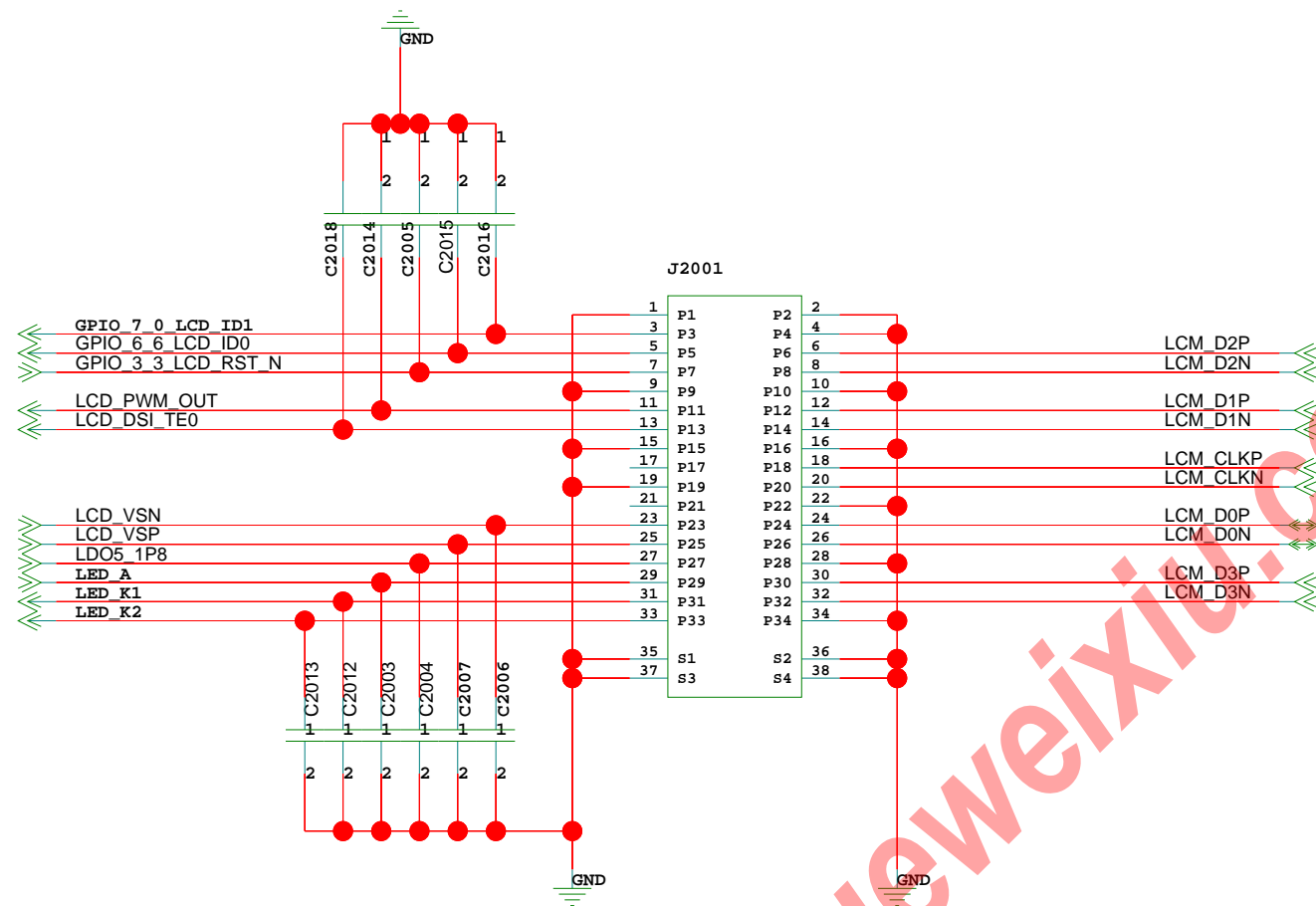
R1904/R1905 Share the pad

The type and specification of the components refer to the BOM

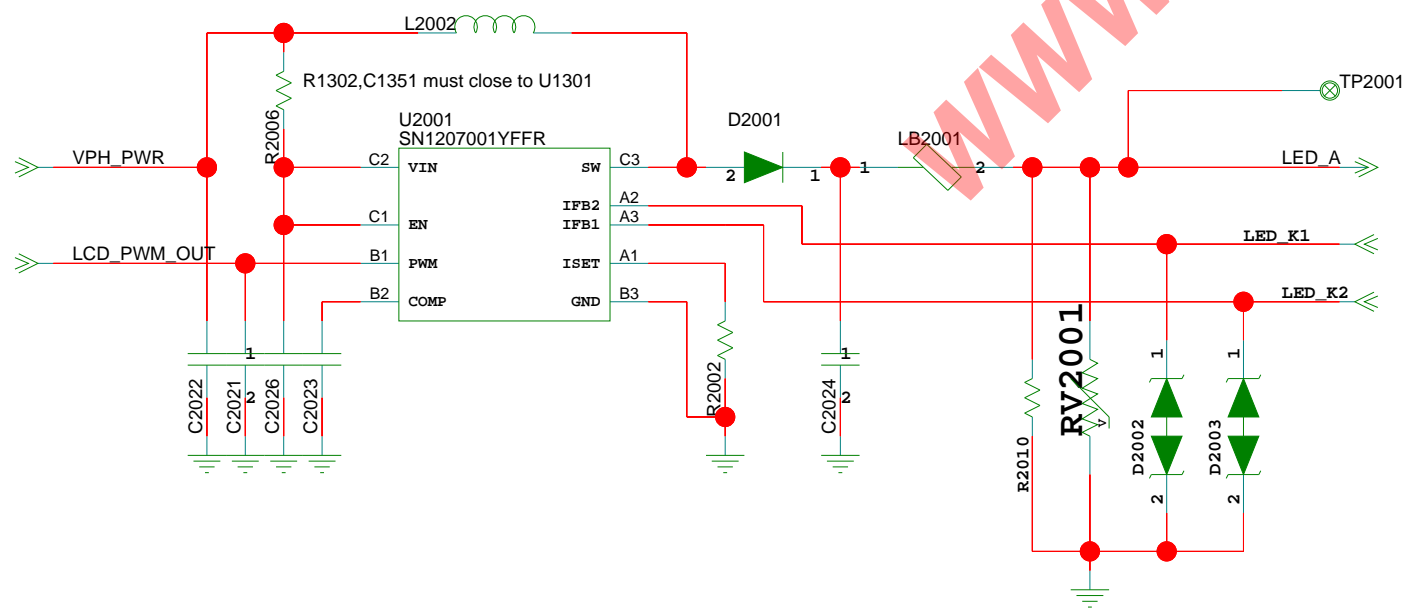
					2015.02.08
				ECA NO	DATE
DESIGNED	LIMIN 00128692	HL3ALICEM		03023ARE_SCHZH	
REVIEWED	QIUHONGBING 00248133	VER	PART_NUMBER	SHEET 19-Headpho	
		F	03023ARE	HUAWEI TECH CO.,LTD.	

20. LCD interface

LCD 5.0 HD 23040391



LCD Backlight Driver

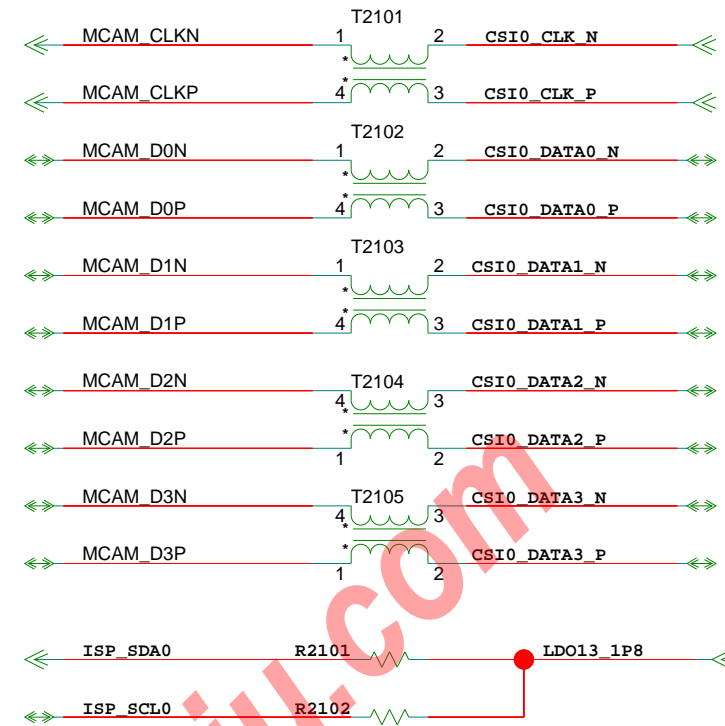
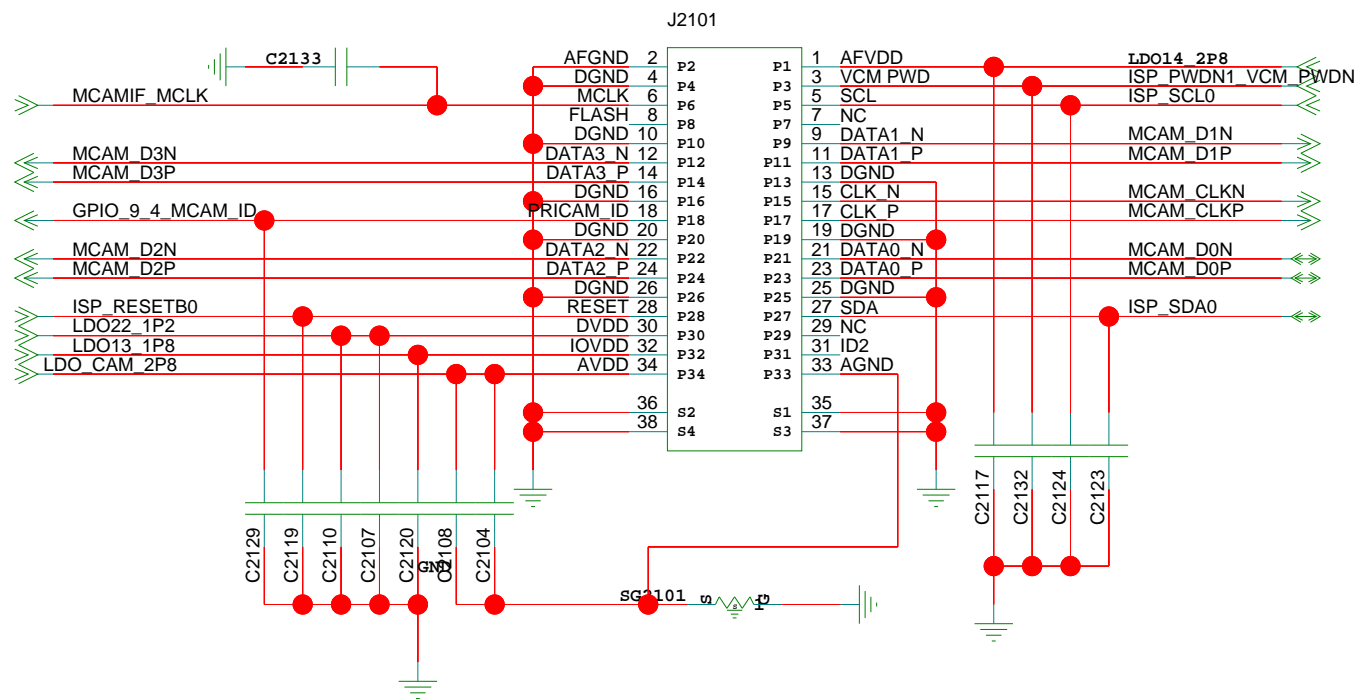


The type and specification of the components refer to the BOM

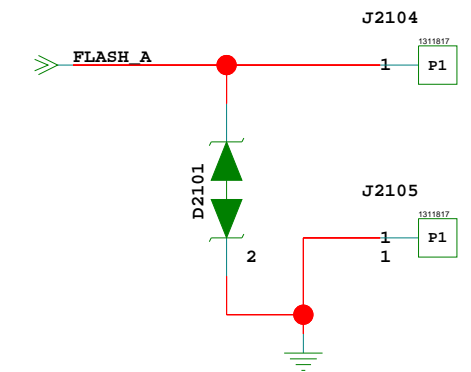
					2015.02.08
				ECA NO	DATE
DESIGNED	LIMIN 00128692	HL3ALICEM		03023ARE_SCHZH	
REVIEWED	QIUHONGBING 00248133	VER	PART_NUMBER	SHEET	20-LODF 69
		F	03023ARE	HUAWEI TECH CO.,LTD.	

21. Main/Slave Camera and Flash LED

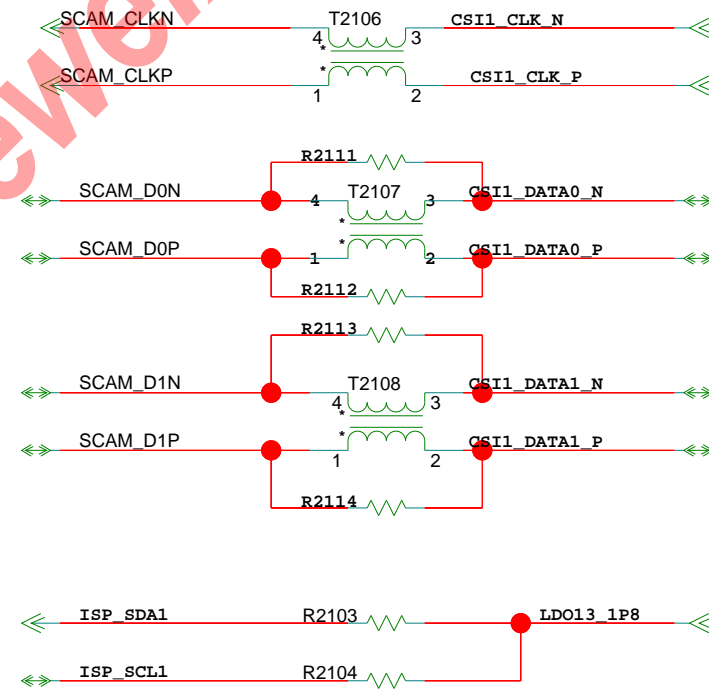
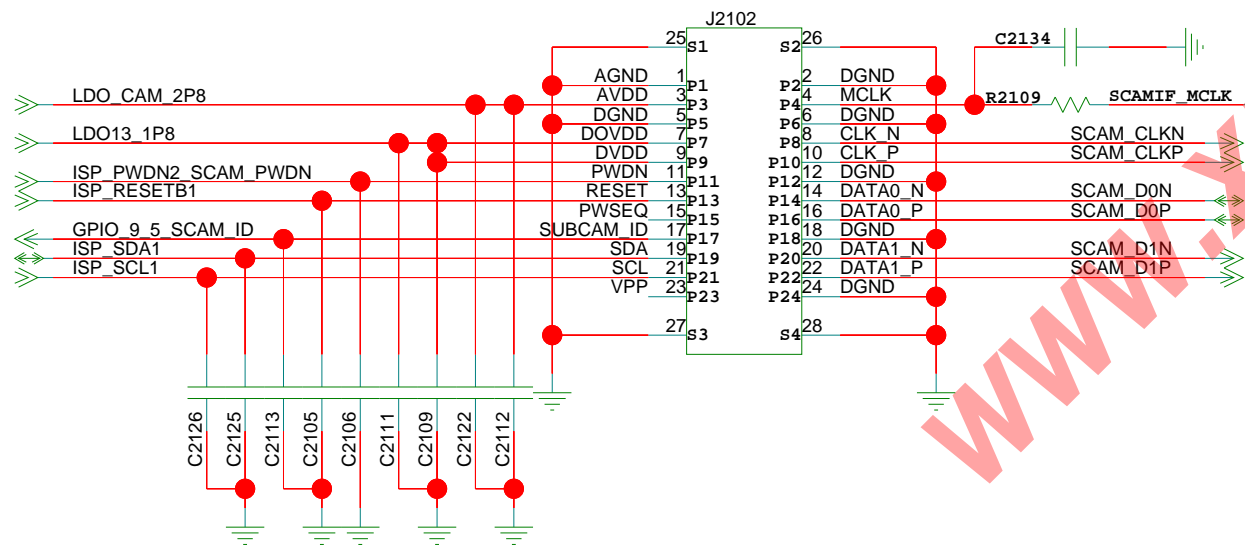
13M Main 23060167



Rear Flash Light



5M Sub 23060132

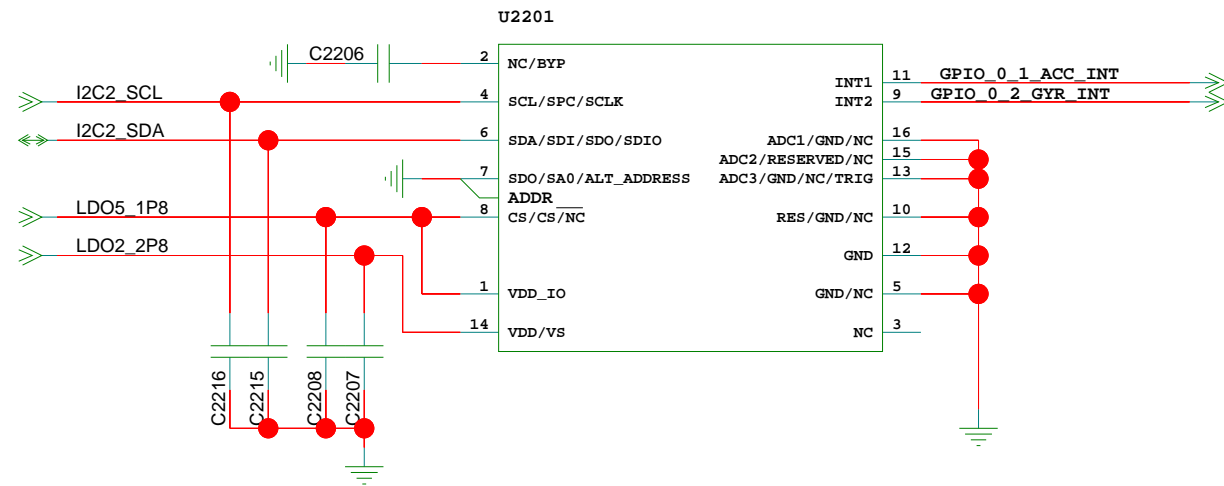


The type and specification of the components refer to the BOM

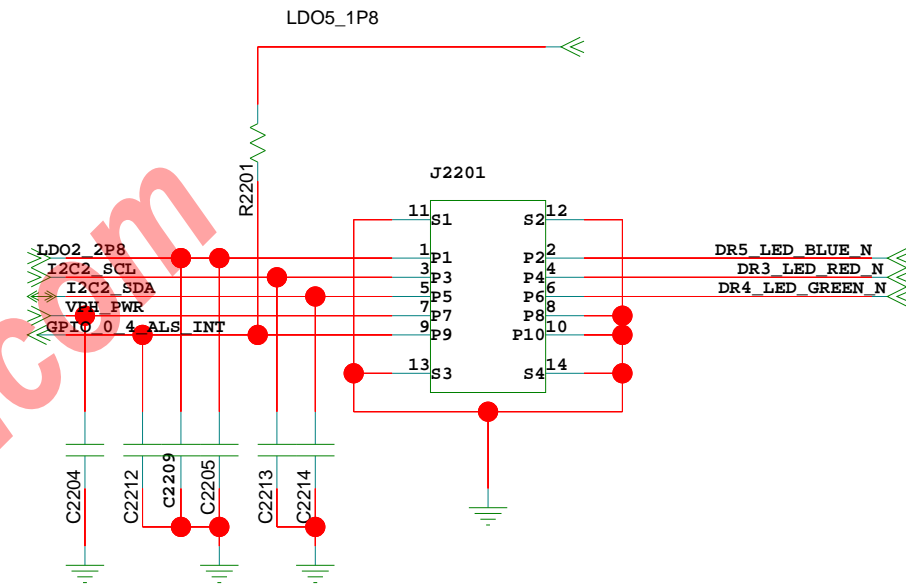
				27-03-2015_09:04
				2015.02.08
			ECA NO	DATE
DESIGNED	LIMIN 00128692	HL3ALICEM		03023ARE_SCHZH
REVIEWED	QIUHONGBING 00248133			
		VER	PART_NUMBER	SHEET 21-Camera-FLASH
		F	03023ARE	HUAWEI TECH CO.,LTD.

22. Sensor

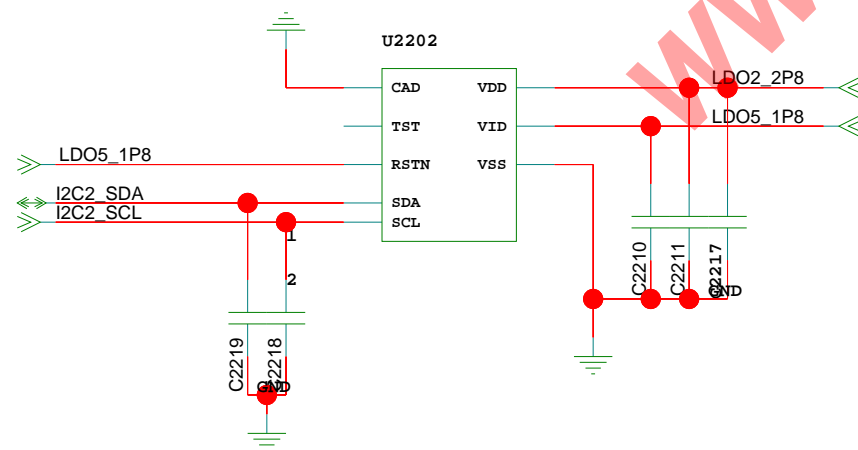
Accelerometer



Proximity & LED indicator



Compass

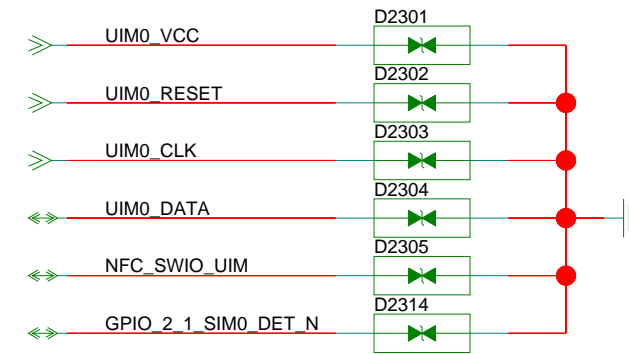
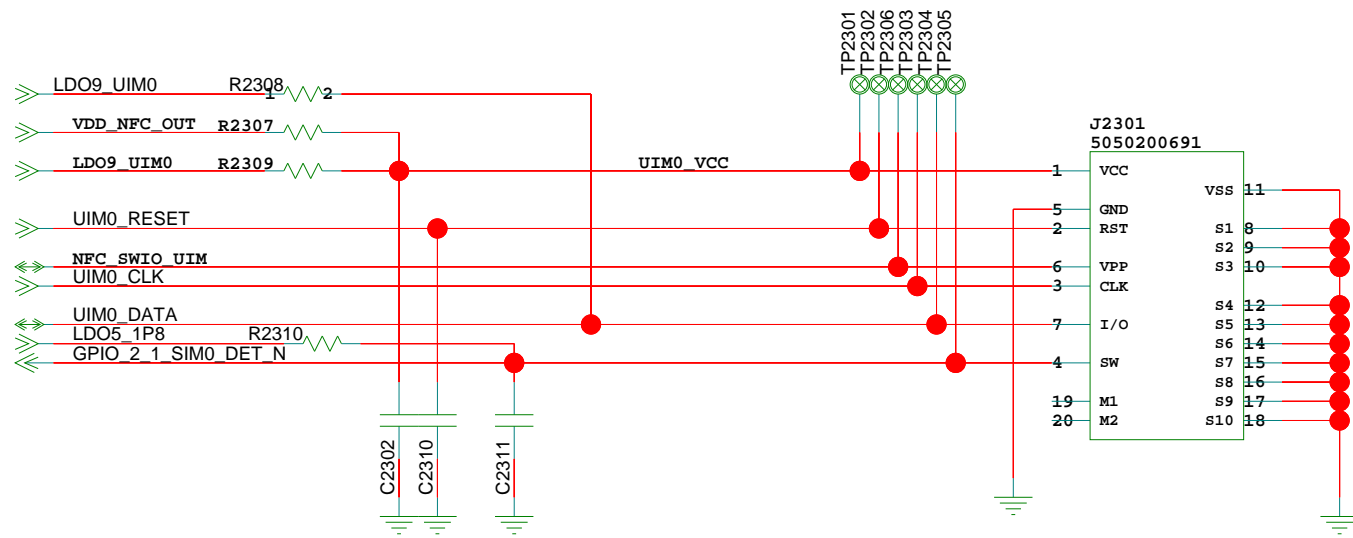


The type and specification of the components refer to the BOM

					2015.02.08
				ECA NO	DATE
DESIGNED	LIMIN 00128692	HL3ALICEM		03023ARE_SCHZH	
REVIEWED	QIUHONGBING 00248133	VER	PART_NUMBER	SHEET 22-SENSOR of 69	
		F	03023ARE	HUAWEI TECH CO.,LTD.	

23. SIM/TF Card

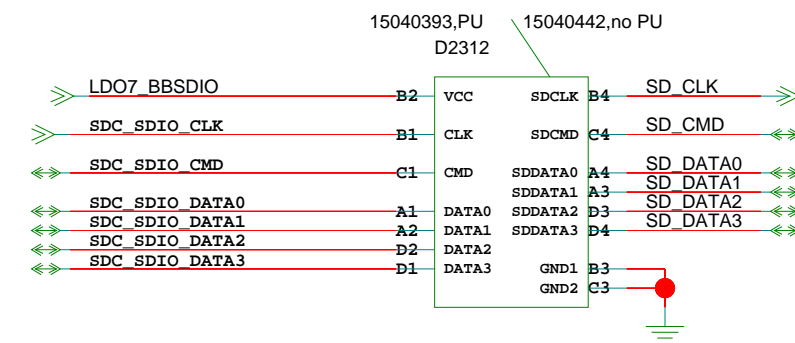
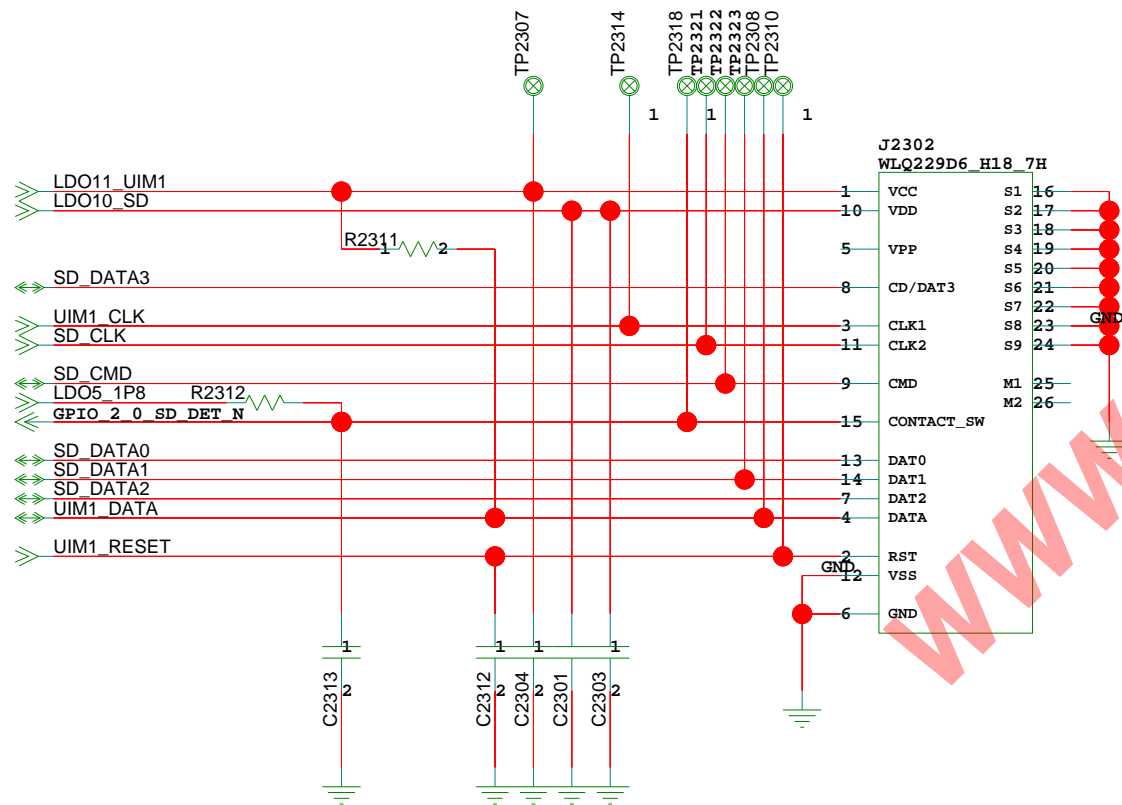
MICRO. SIM Card 1:TDL/TD-SCDMA/GSM



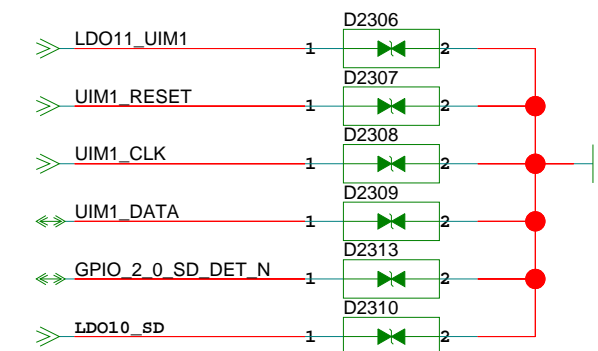
		R2309	R2307
NFC	Y	DNI	SMT
	N	SMT	DNI

TF Card EMI/ESD

Nano. SIM Card 2:TDL/TD-SCDMA/GSM & Micro SD Card



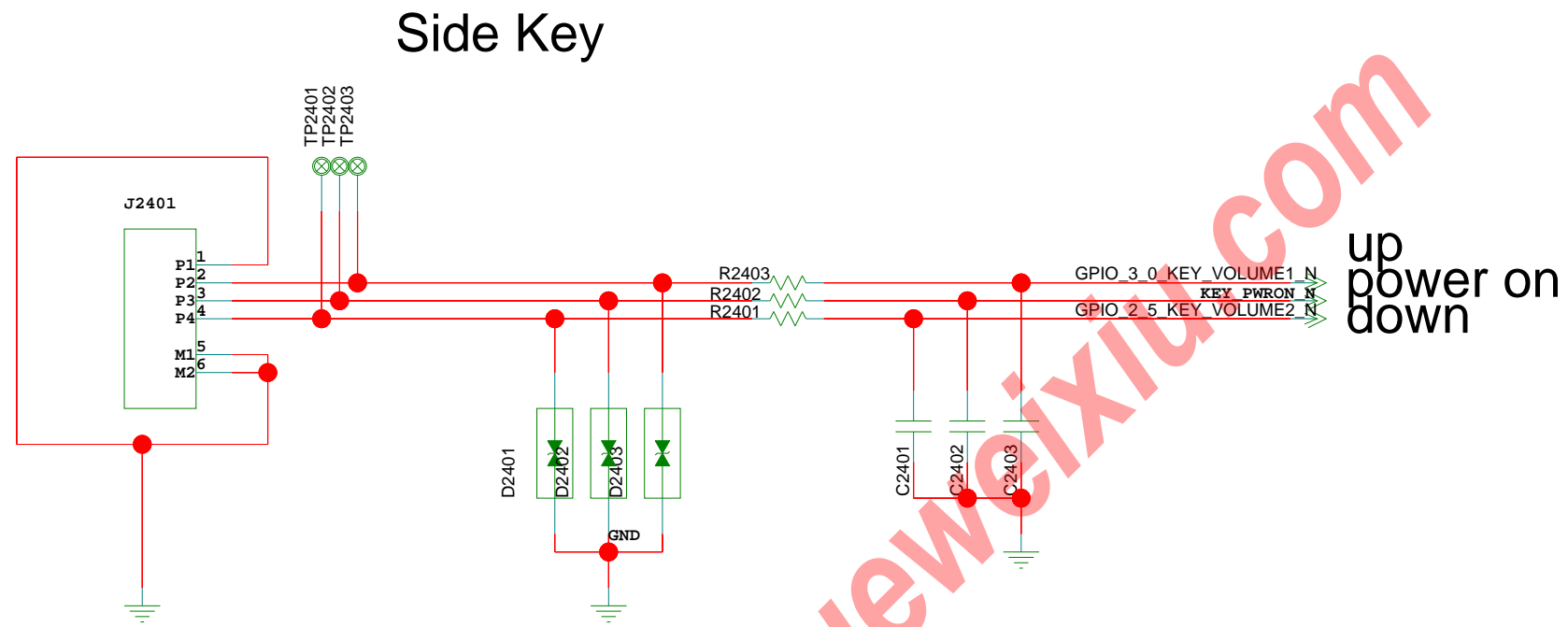
		DNI	SMT
single sim card	Y	R2311,C2304,D2306 D2307,D2308,D2309	
	N		R2311,C2304,D2306 D2307,D2308,D2309



The type and specification of the components refer to the BOM

					2015.02.08
				ECA NO	DATE
DESIGNED	LIMIN 00128692	HL3ALICEM		03023ARE_SCHZH	
REVIEWED	QIUHONGBING 00248133				
		VER	PART_NUMBER	SHEET 23-SIM/TF 69	
		F	03023ARE	HUAWEI TECH CO.,LTD.	

24. Keypad indicator

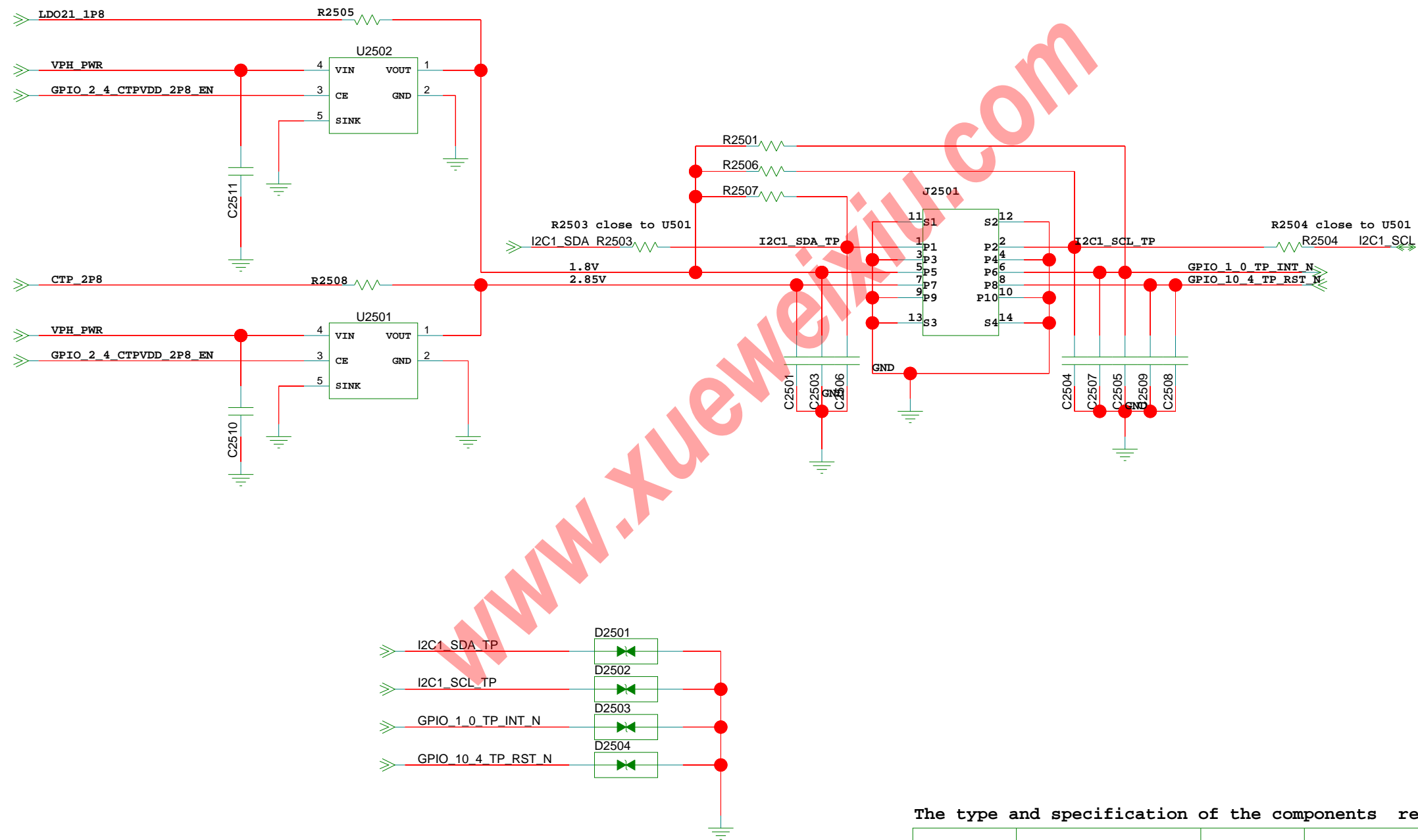


www.xueweixiu.com

The type and specification of the components refer to the BOM

					2015.02.08
				ECA NO	DATE
DESIGNED	LIMIN 00128692	HL3ALICEM		03023ARE_SCHZH	
REVIEWED	QIUHONGBING 00248133	VER	PART_NUMBER	SHEET 24-Keyp 69	
		F	03023ARE	HUAWEI TECH CO.,LTD.	

25. Touch interface

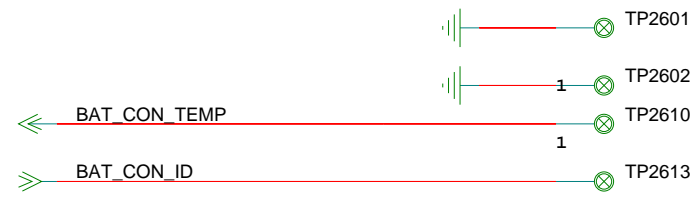


The type and specification of the components refer to the BOM

					2015.02.08
				ECA NO	DATE
DESIGNED	LIMIN 00128692	HL3ALICEM		03023ARE_SCHZH	
REVIEWED	QIUHONGBING 00248133	VER	PART_NUMBER	SHEET 25-TPOF 69	
		F	03023ARE	HUAWEI TECH CO.,LTD.	

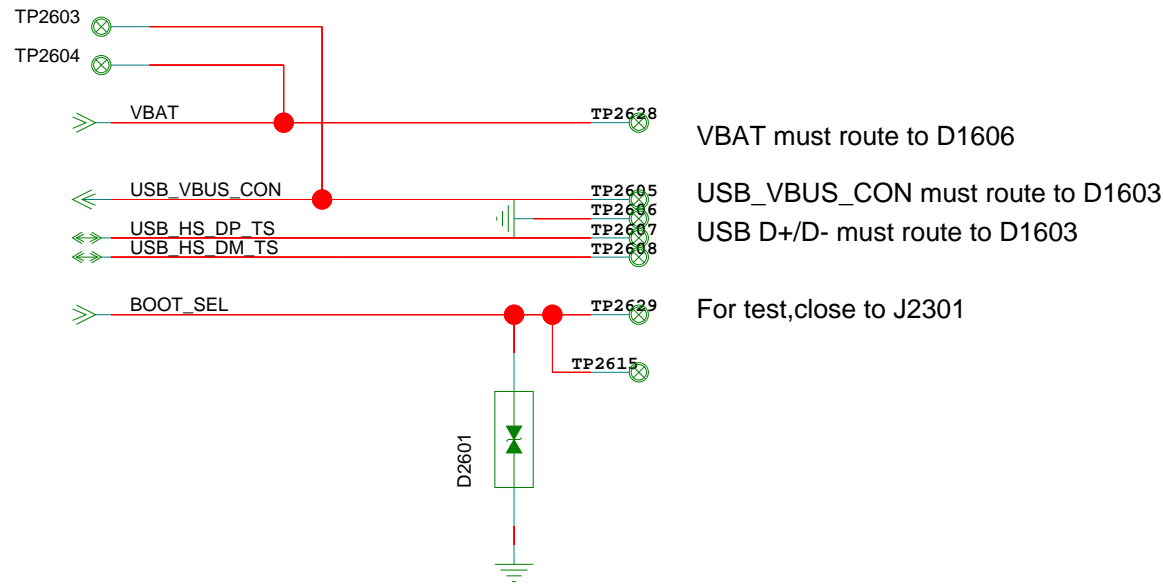
26. Test Points/GND/Shields

CT BT



BAT_CON_TEMP must route to D1601

BAT_CON_ID must route to D1602



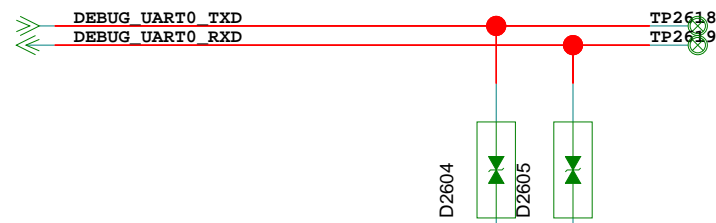
VBAT must route to D1606

USB_VBUS_CON must route to D1603

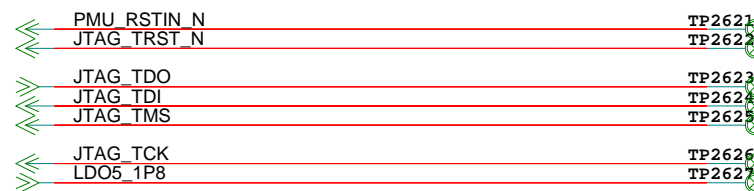
USB D+/D- must route to D1603

For test, close to J2301

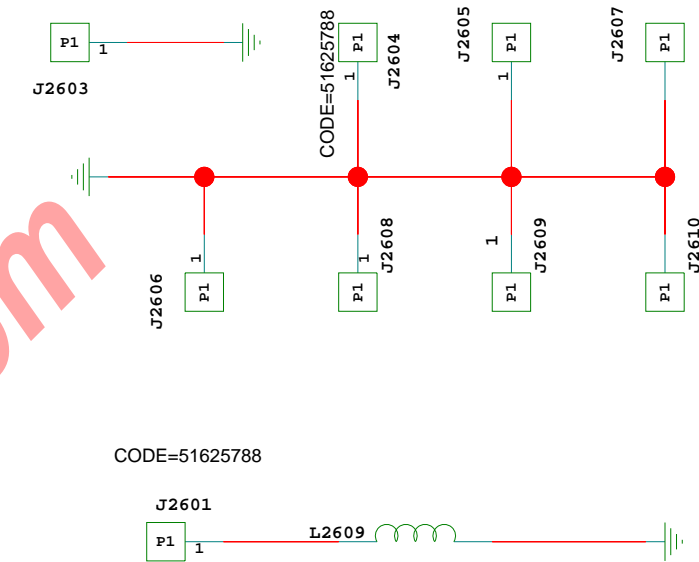
Debug UART



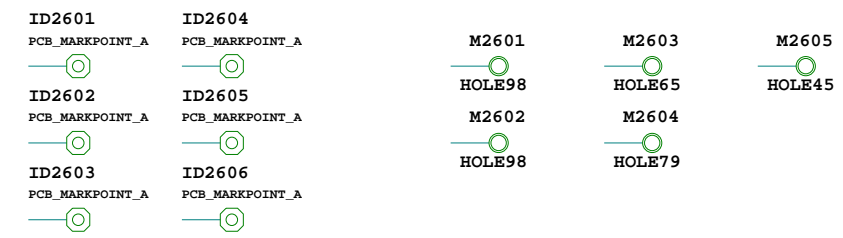
JTAG



ANT feed point



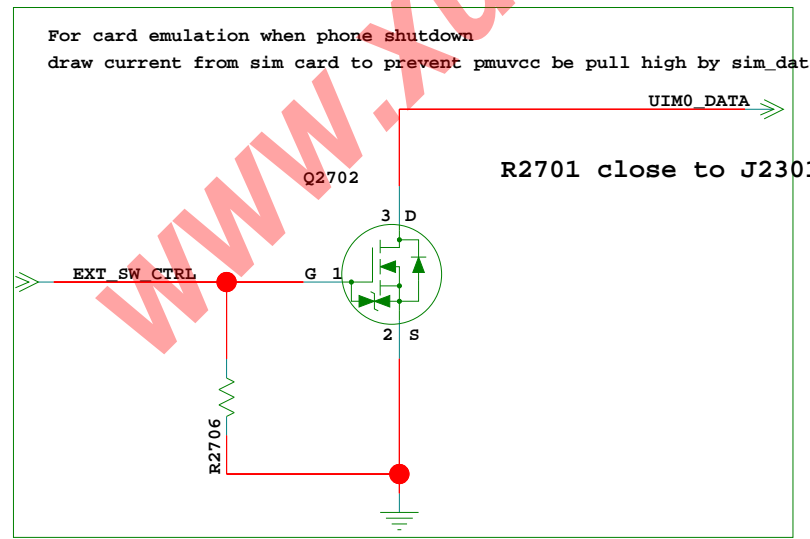
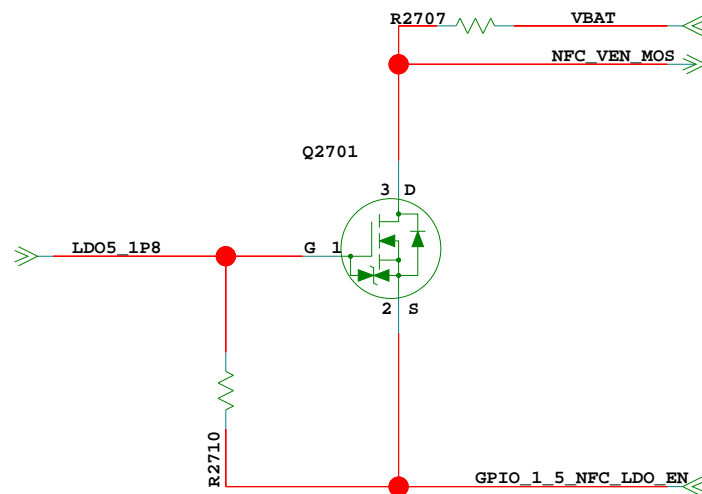
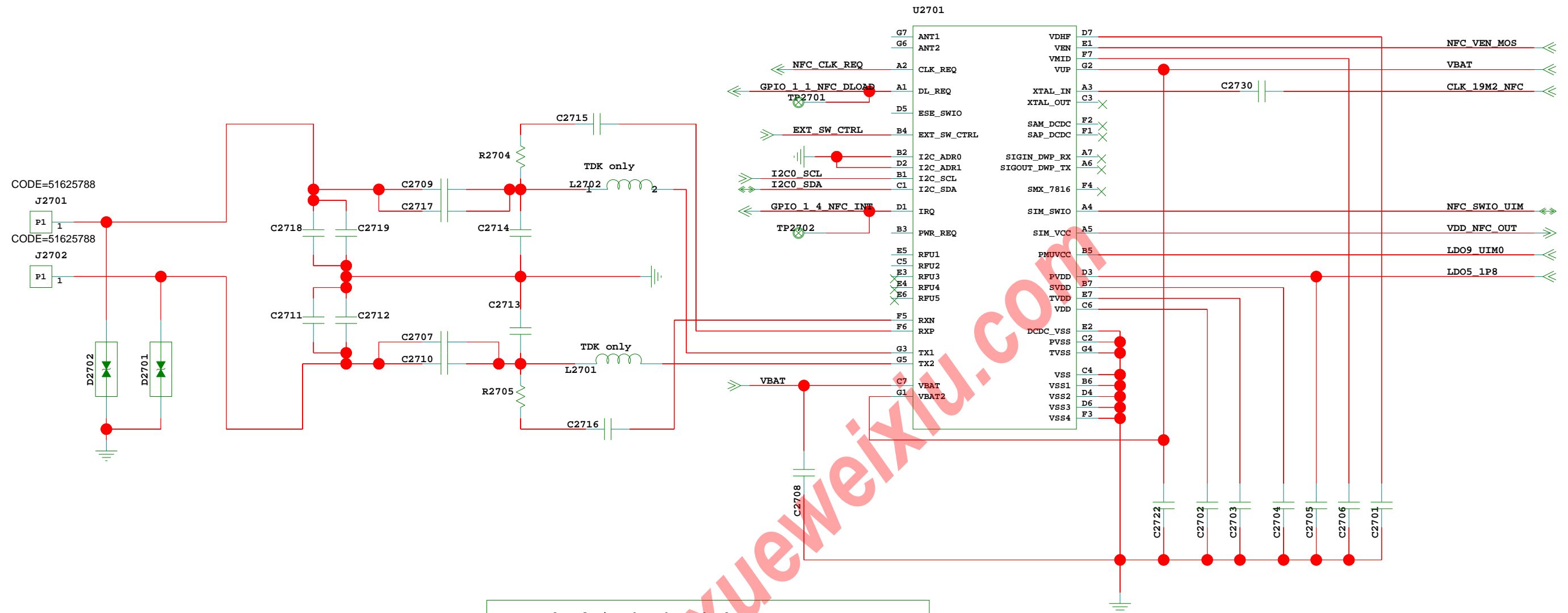
MARK POINT



The type and specification of the components refer to the BOM

					2015.02.08
				ECA NO	DATE
DESIGNED	LIMIN 00128692	HL3ALICEM		03023ARE_SCHZH	
REVIEWED	QIUHONGBING 00248133	VER	PART_NUMBER	SHEET 26-Test Point 69	
		F	03023ARE	HUAWEI TECH CO.,LTD.	

27.NFC_NXP



The type and specification of the components refer to the BOM

					2015.02.08
				ECA NO	DATE
DESIGNED	LIMIN 00128692	HL3ALICEM		03023ARE_SCHZH	
REVIEWED	QIUHONGBING 00248133	VER	PART_NUMBER	SHEET 27-NFC_NXP9	
		F	03023ARE	HUAWEI TECH CO.,LTD.	

28 .Reserved

A

A

B

B

C

C

D

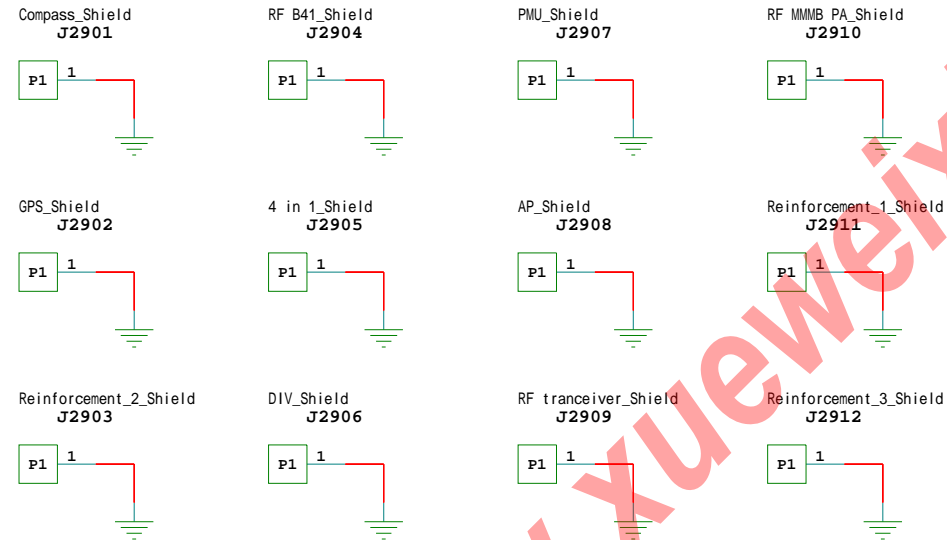
D

www.xueweixiu.com

The type and specification of the components refer to the BOM

					2015.02.08
				ECA NO	DATE
DESIGNED	LIMIN 00128692	HL3ALICEM		03023ARE_SCHZH	
REVIEWED	QIUHONGBING 00248133				
		VER	PART_NUMBER	SHEET 28-Reserved	
		F	03023ARE	HUAWEI TECH CO.,LTD.	

29. Shield



www.xuweiixiu.com

The type and specification of the components refer to the BOM

					2015.02.08
				ECA NO	DATE
DESIGNED	LIMIN 00128692	HL3ALICEM		03023ARE_SCHZH	
REVIEWED	QIUHONGBING 00248133	VER	PART_NUMBER	SHEET 29-Shield 69	
		F	03023ARE	HUAWEI TECH CO.,LTD.	

30. RESERVED

A

A

B

B

C

C

D

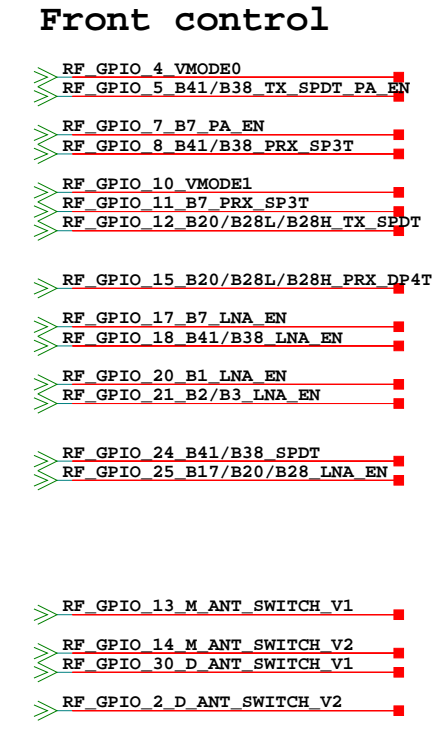
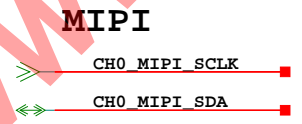
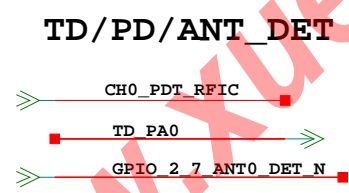
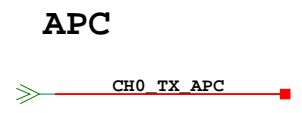
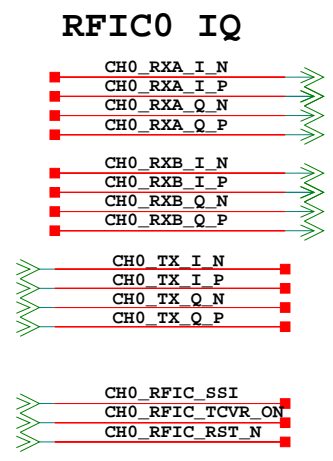
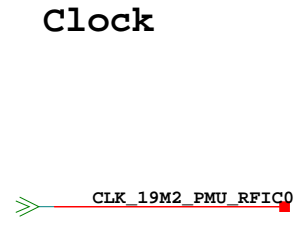
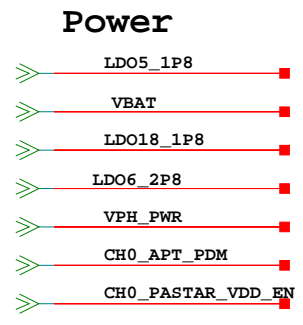
D

www.xueweixiu.com

The type and specification of the components refer to the BOM

					2015.02.08
				ECA NO	DATE
DESIGNED	LIMIN 00128692	HL3ALICEM		03023ARE_SCHZH	
REVIEWED	QIUHONGBING 00248133				
		VER	PART_NUMBER	SHEET 30-Reserved	
		F	03023ARE	HUAWEI TECH CO.,LTD.	

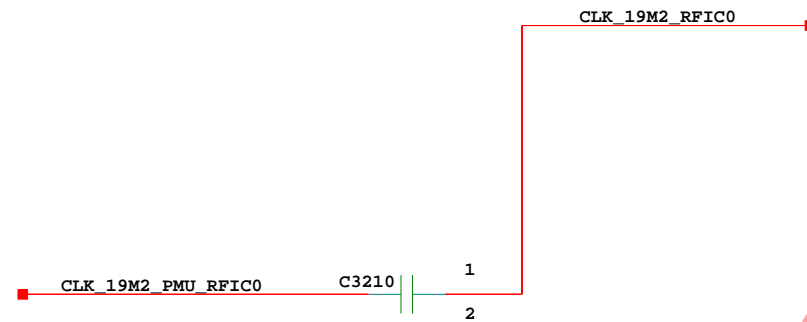
31.RF Interface



The type and specification of the components refer to the BOM

					2015.02.08
				ECA NO	DATE
DESIGNED	LIMIN 00128692	HL3ALICEM		03023ARE_SCHZH	
REVIEWED	QIUHONGBING 00248133	VER	PART_NUMBER	SHEET 31-RFInt69face	
		F	03023ARE	HUAWAI TECH CO.,LTD.	

32.TCXO

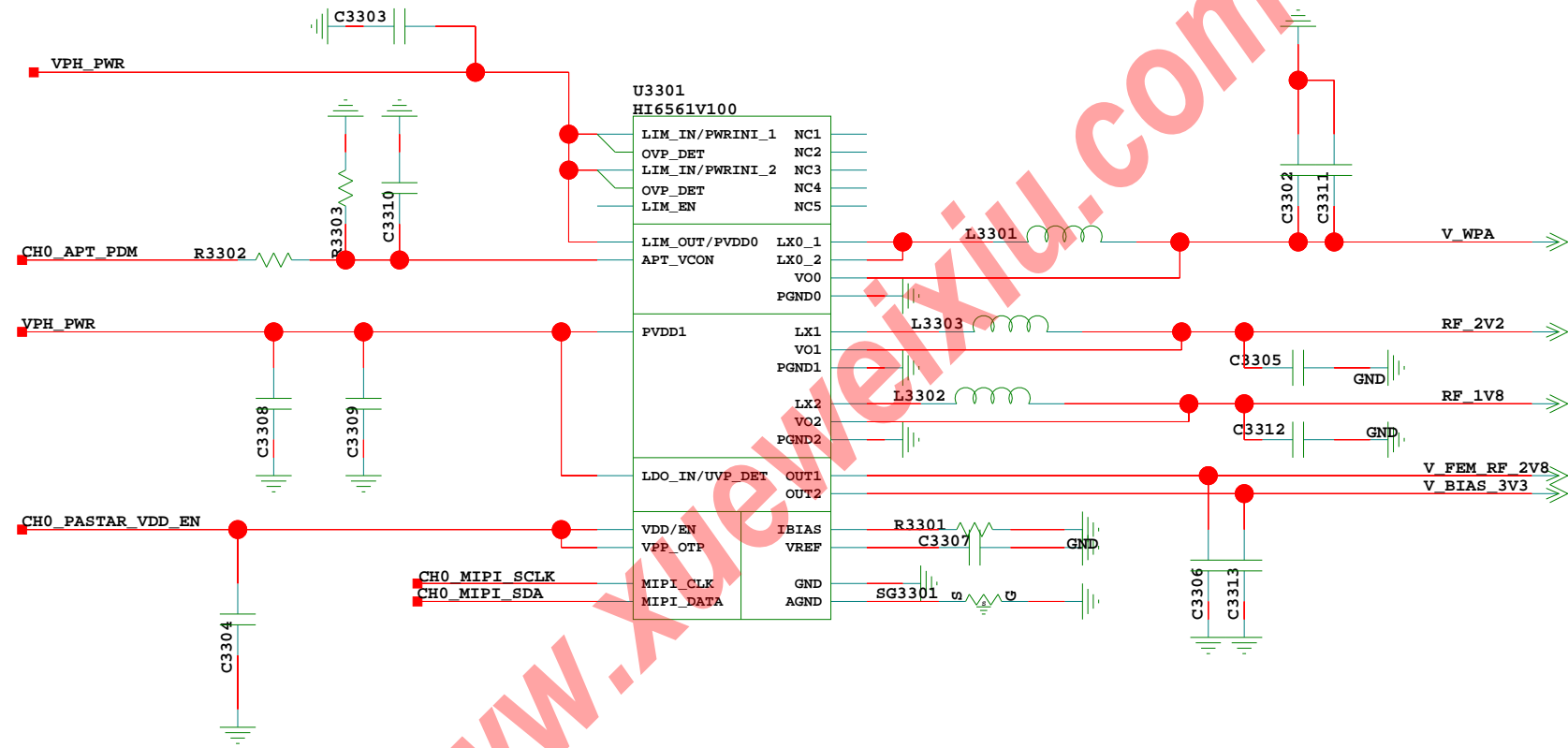


www.xueweixiu.com

The type and specification of the components refer to the BOM

					2015.02.08
				ECA NO	DATE
DESIGNED	LIMIN 00128692	HL3ALICEM		03023ARE_SCHZH	
REVIEWED	QIUHONGBING 00248133				
		VER	PART_NUMBER	SHEET	32-TCXO 69
		F	03023ARE	HUAWEI TECH CO.,LTD.	

33-RF PMU



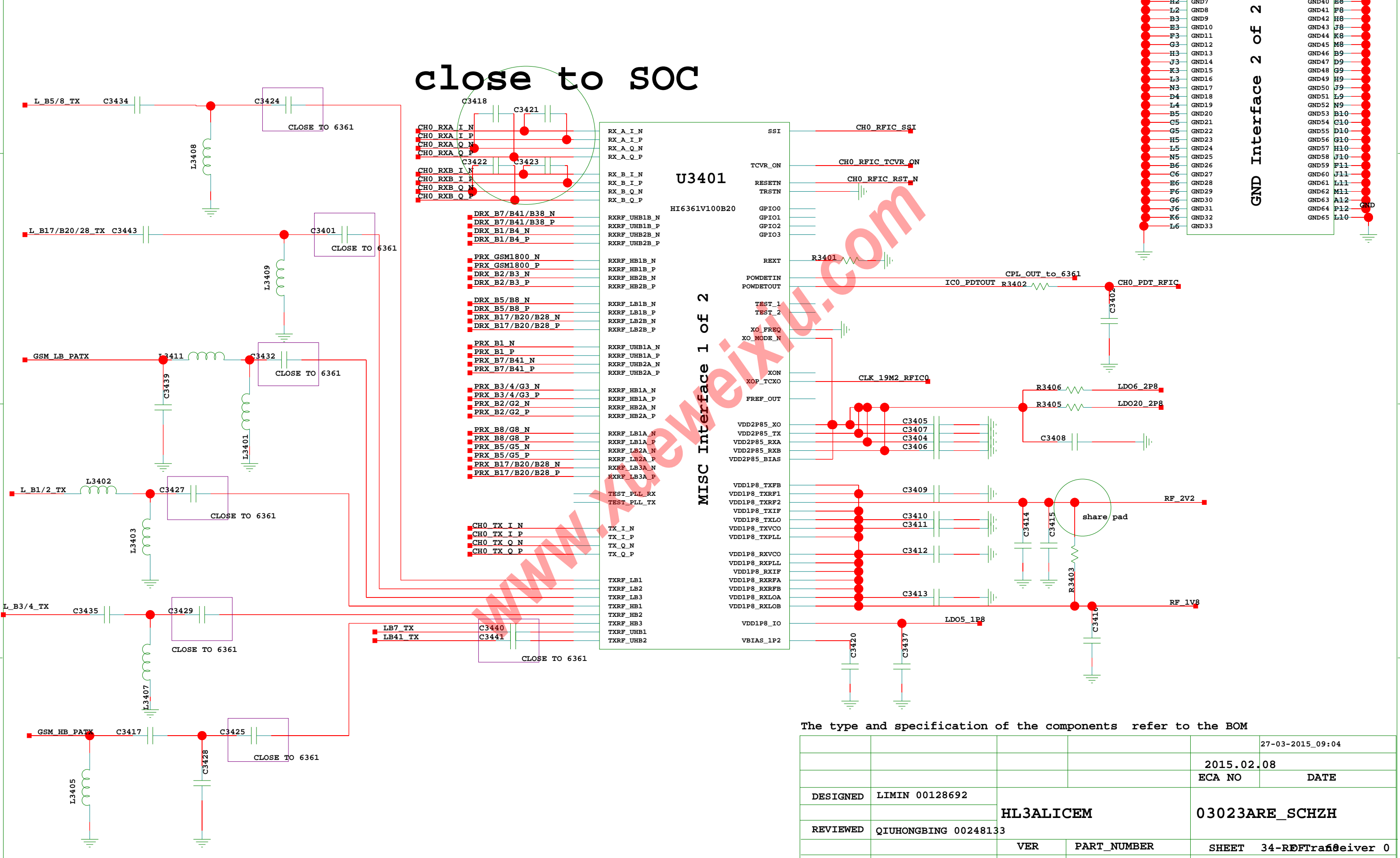
The type and specification of the components refer to the BOM

				27-03-2015_09:04
				2015.02.08
			ECA NO	DATE
DESIGNED	LIMIN 00128692	HL3ALICEM		03023ARE_SCHZH
REVIEWED	QIUHONGBING 00248133			
		VER	PART_NUMBER	SHEET 33-R0FFPMU69
		F	03023ARE	HUAWEI TECH CO.,LTD.

34.RF Tranceiver 0

close to soc

U3401
HI6361V100B20
GND Interface 2 of 2



MISC Interface 1 of 2

The type and specification of the components refer to the BOM

				27-03-2015_09:04	
				2015.02.08	
				ECA NO	
				DATE	
DESIGNED	LIMIN 00128692	HL3ALICEM		03023ARE_SCHZH	
REVIEWED	QIUHONGBING 00248133				
		VER	PART_NUMBER	SHEET 34-RFTranceiver 0	
		F	03023ARE	HUAWAI TECH CO.,LTD.	

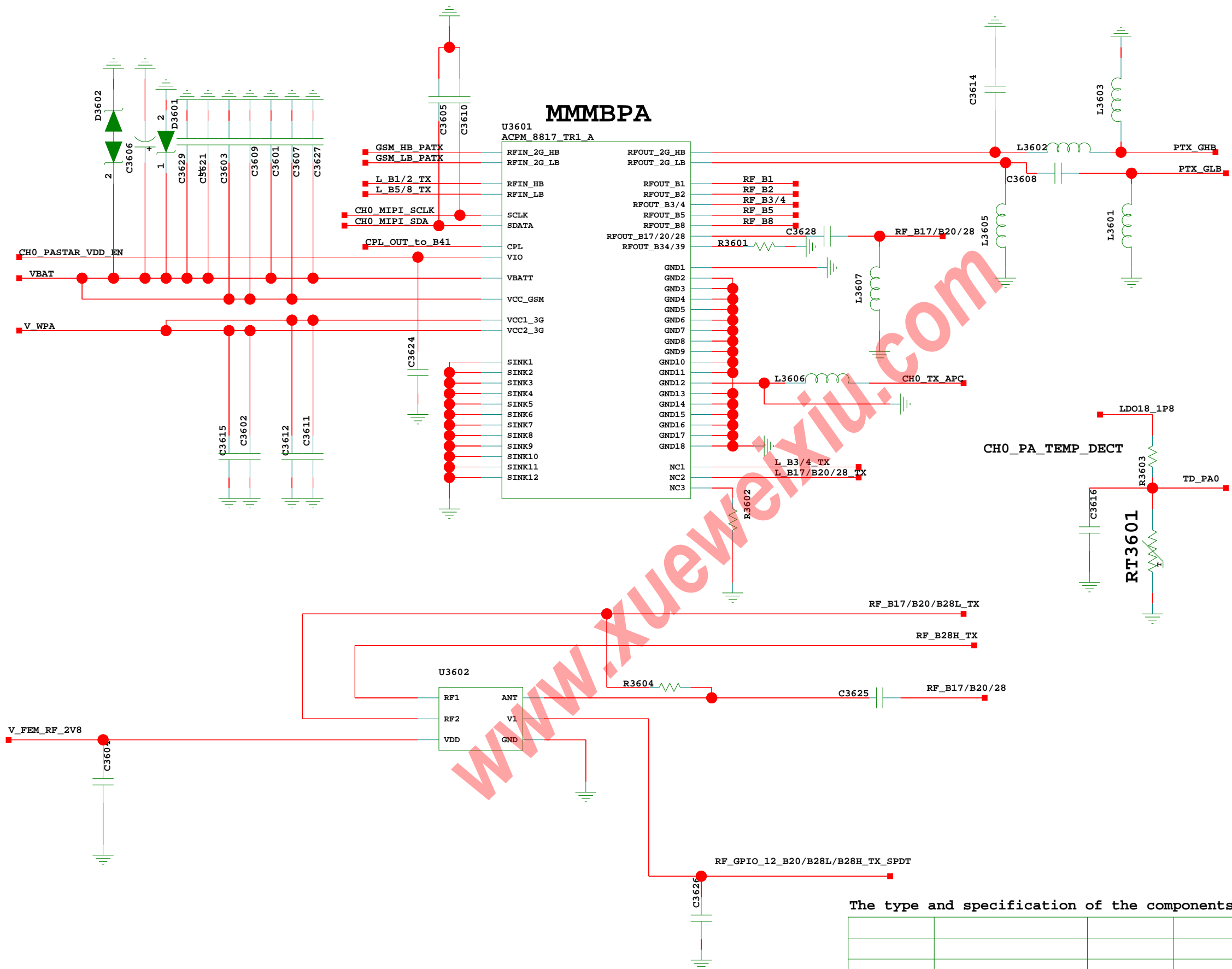
35-Reserved

www.xueweixiu.com

The type and specification of the components refer to the BOM

					17-03-2015_09:06
					2015.02.08
				ECA NO	DATE
DESIGNED	LIMIN 00128692	HL3ALICEM		03023ARE_SCHZH	
REVIEWED	QIUHONGBING 00248133				
		VER	PART_NUMBER	SHEET 35-TRF B109B28	
		F	03023ARE	HUAWEI TECH CO.,LTD.	

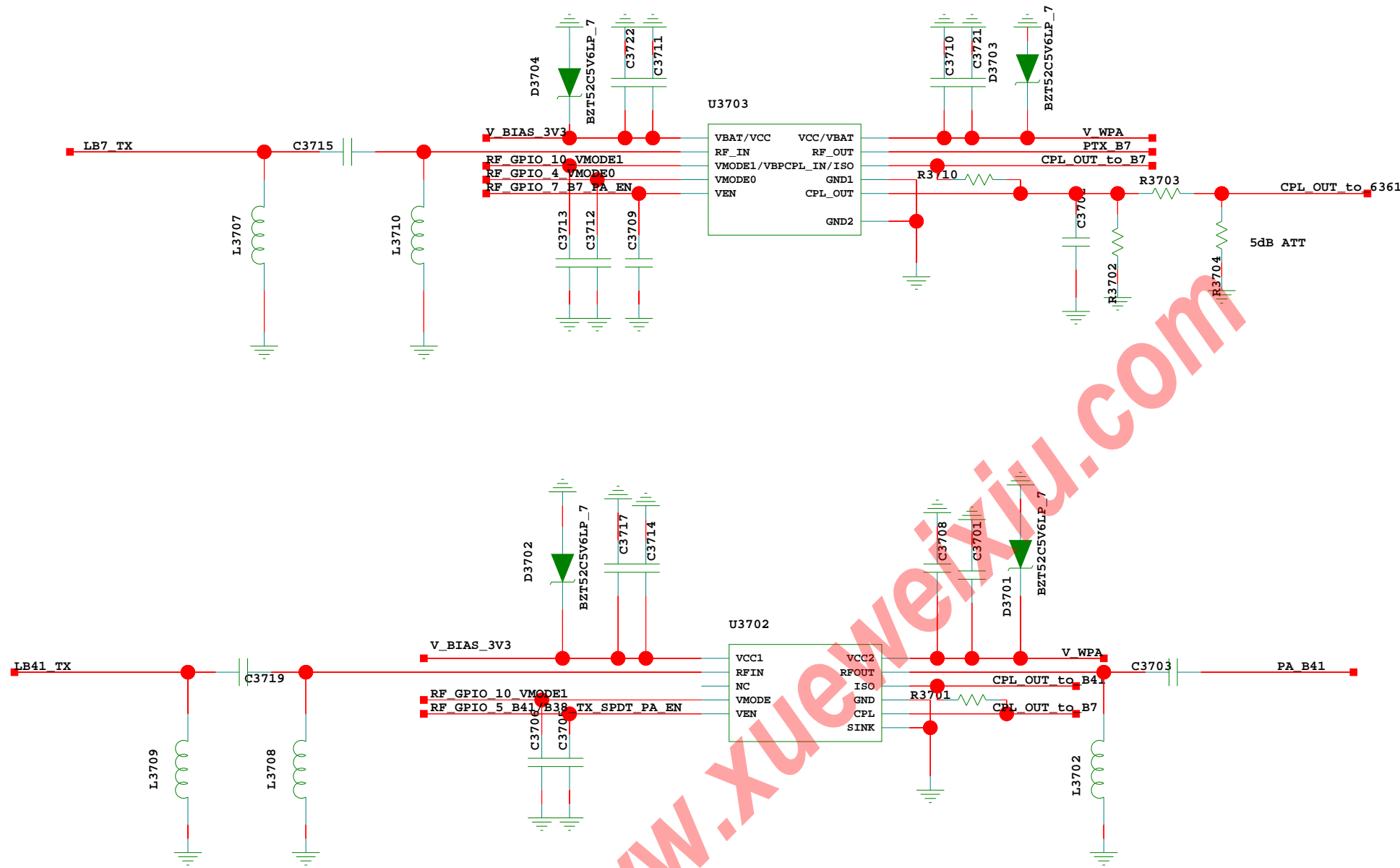
36-RF Front End MMBBPA



The type and specification of the components refer to the BOM

				27-03-2015_09:04
				2015.02.08
			ECA NO	DATE
DESIGNED		HL3ALICEM		03023ARE_SCHZH
REVIEWED	QIUHONGBING 00248133	VER	PART_NUMBER	SHEET 36-RF Front End MMBBPA
		F	03023ARE	HUAWEI TECH CO.,LTD.

37-RF Front End B7/B41 PA



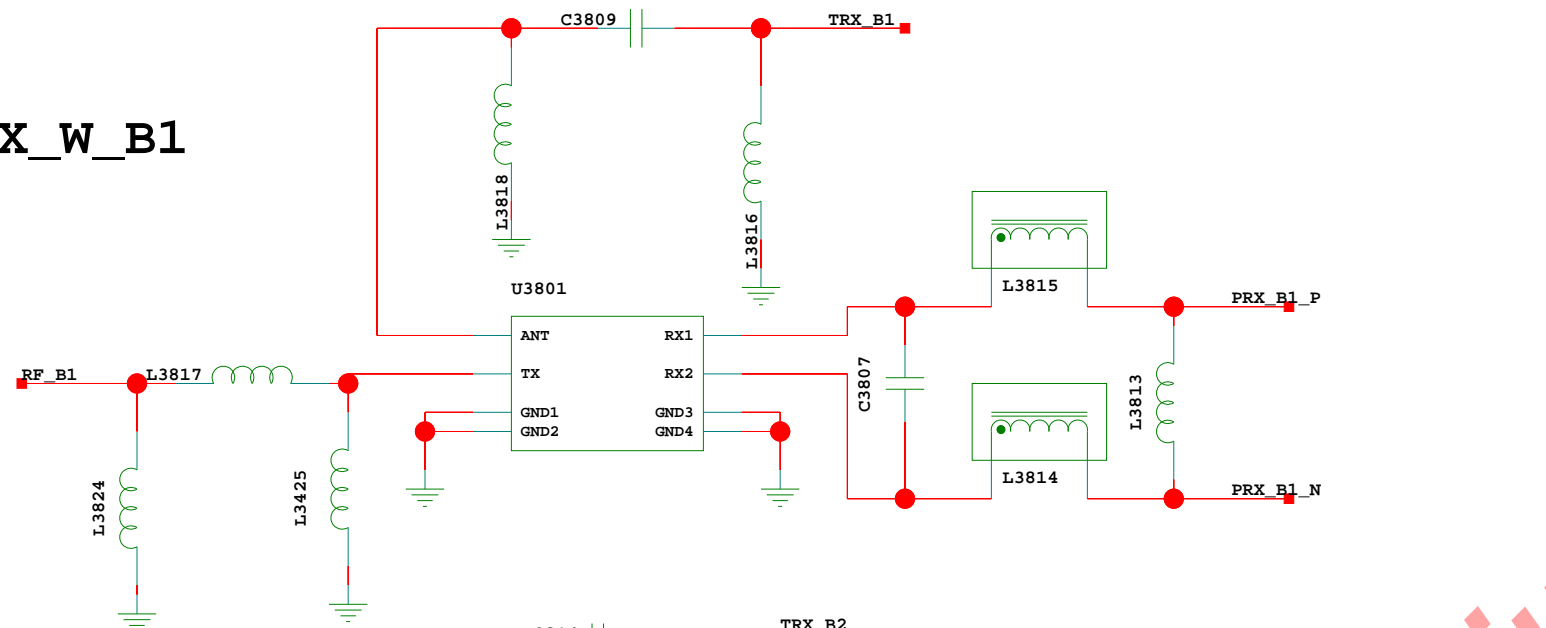
The type and specification of the components refer to the BOM

				27-03-2015_09:04
				2015.02.08
			ECA NO	DATE
DESIGNED				
REVIEWED	QIUHONGBING 0043023	HL3ALICEM		
		03023ARE_SCHZH		
		VER	PART_NUMBER	37-RF Front End B7/41 69
		F		HUAWEI TECH CO.,LTD.

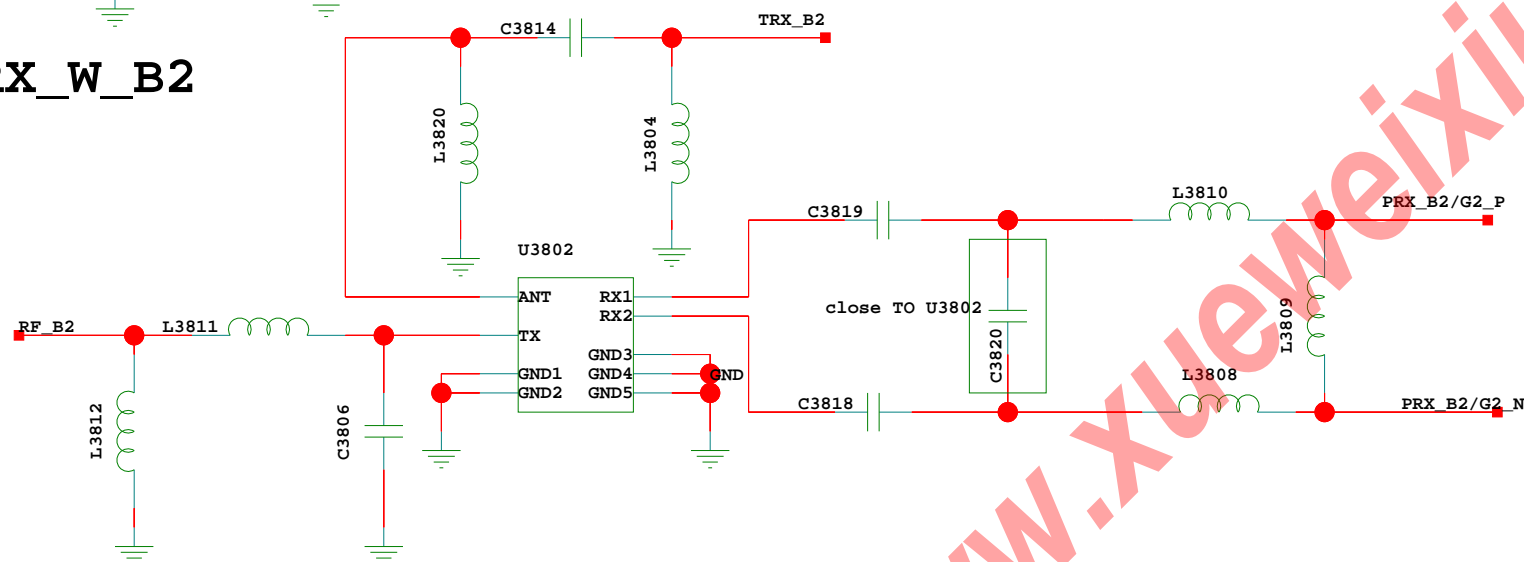
03023ARE

38-TRX B1/2/3

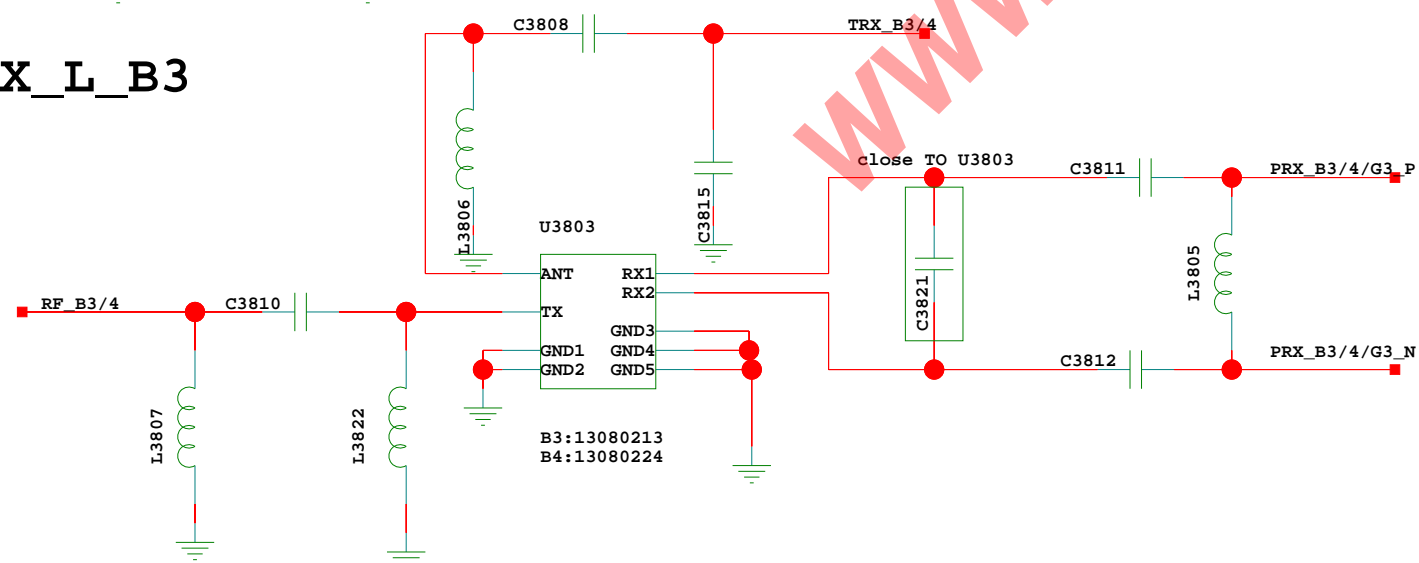
RX_W_B1



RX_W_B2



RX_L_B3



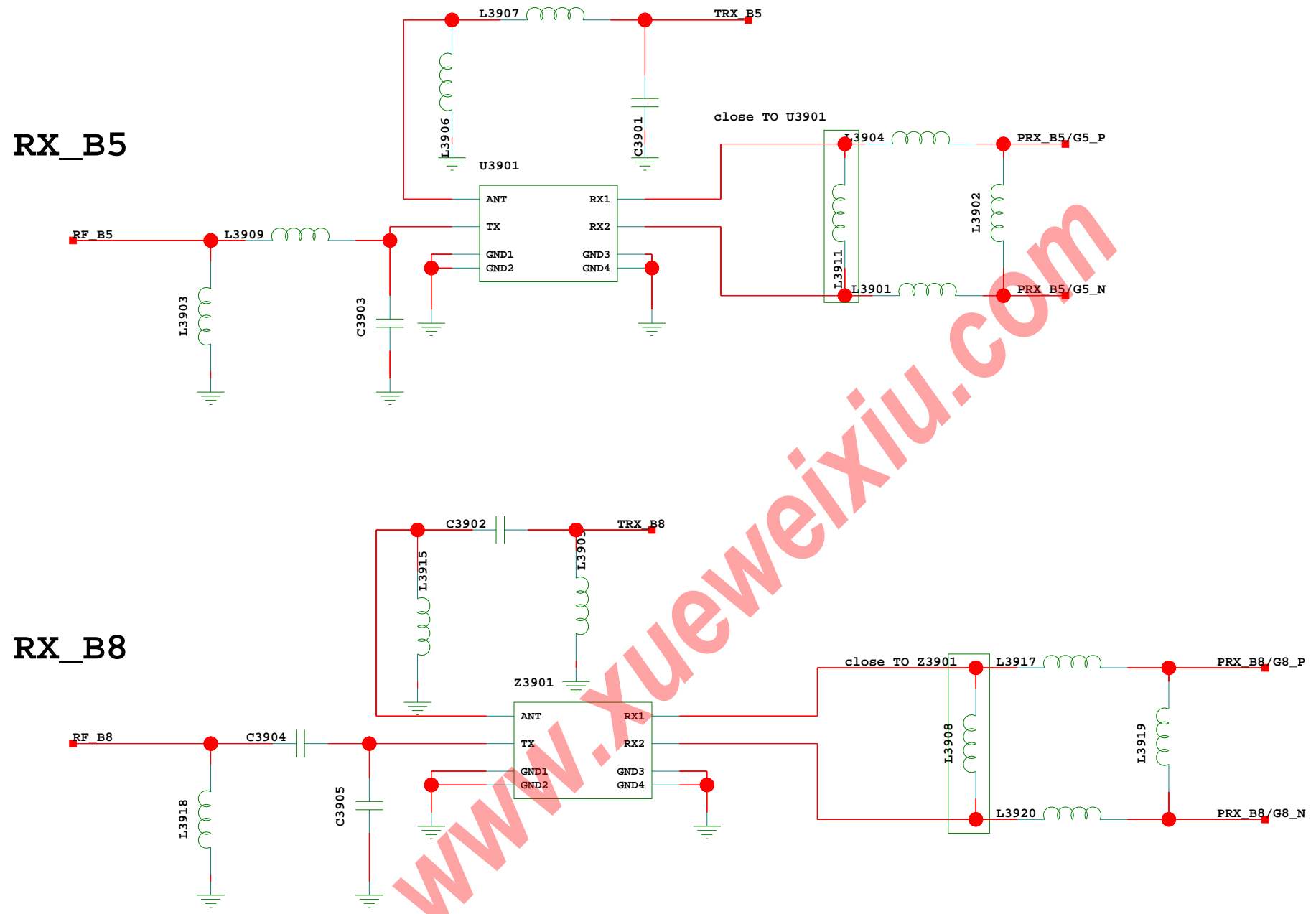
B3:13080213
B4:13080224

www.xuweiixiu.com

The type and specification of the components refer to the BOM

				27-03-2015_09:04
				2015.02.08
			ECA NO	DATE
DESIGNED		HL3ALICEM		03023ARE_SCHZH
REVIEWED	QIUHONGBING 00248133			
		VER	PART_NUMBER	SHEET 38-TRX B1/2/3
		F	03023ARE	HUAWEI TECH CO.,LTD.

39-TRX B5/8

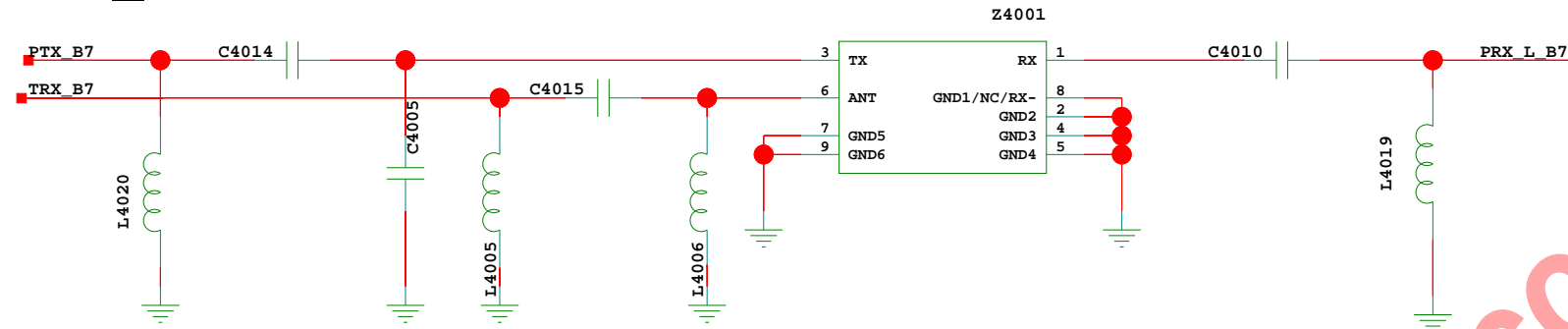


The type and specification of the components refer to the BOM

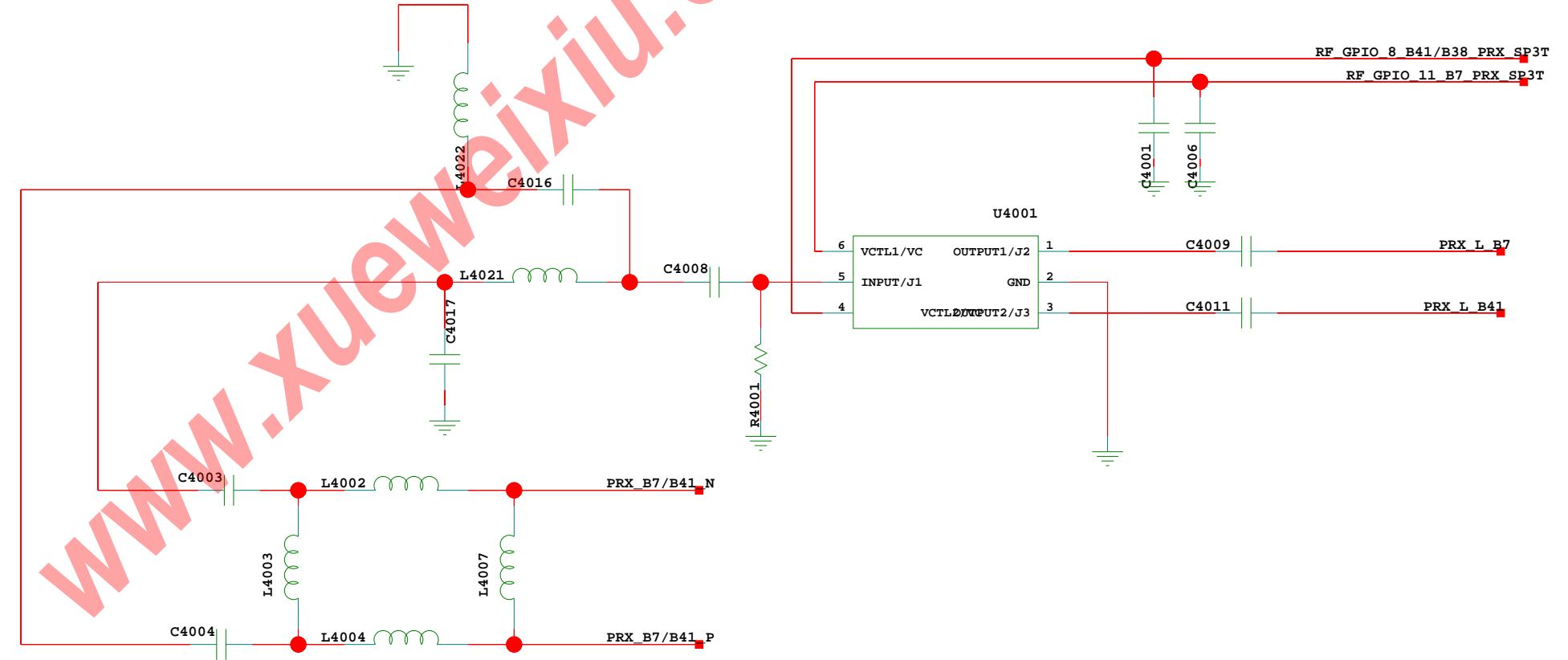
					2015.02.08
				ECA NO	DATE
DESIGNED	LIMIN 00128692	HL3ALICEM		03023ARE_SCHZH	
REVIEWED	QIUHONGBING 00248133				
		VER	PART_NUMBER	SHEET 39-TRX B5/8	
		F	03023ARE	HUAWEI TECH CO.,LTD.	

40-TRX B7/41

PRX_B7



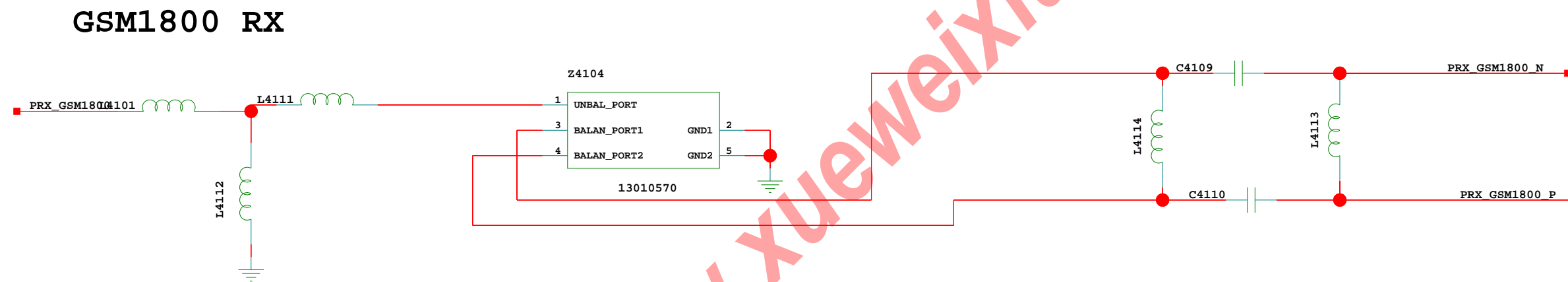
PRX_B7/B41



The type and specification of the components refer to the BOM

				27-03-2015_09:04
				2015.02.08
			ECA NO	DATE
DESIGNED		HL3ALICEM		03023ARE_SCHZH
REVIEWED	QIUHONGBING 00248133			
		VER	PART_NUMBER	SHEET 40-TRX B7/41
		F	03023ARE	HUAWEI TECH CO.,LTD.

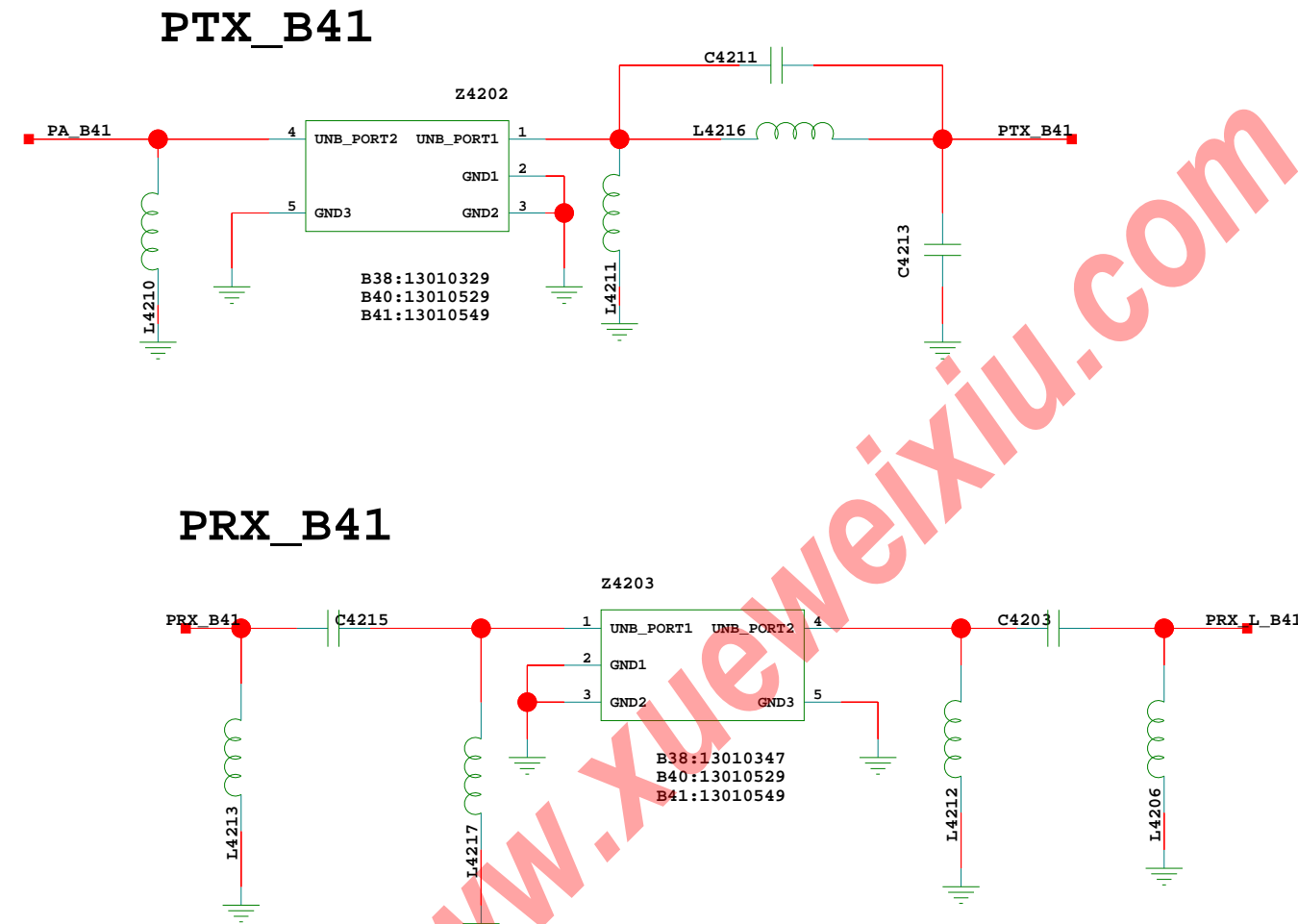
41-PRX_GSM1800



The type and specification of the components refer to the BOM

					27-03-2015_09:04
					2015.02.08
				ECA NO	DATE
DESIGNED	LIMIN 00128692	HL3ALICEM		03023ARE_SCHZH	
REVIEWED	QIUHONGBING 00248133				
		VER	PART_NUMBER	SHEET 41-PRX_GSM1800	
		F	03023ARE	HUAWEI TECH CO.,LTD.	

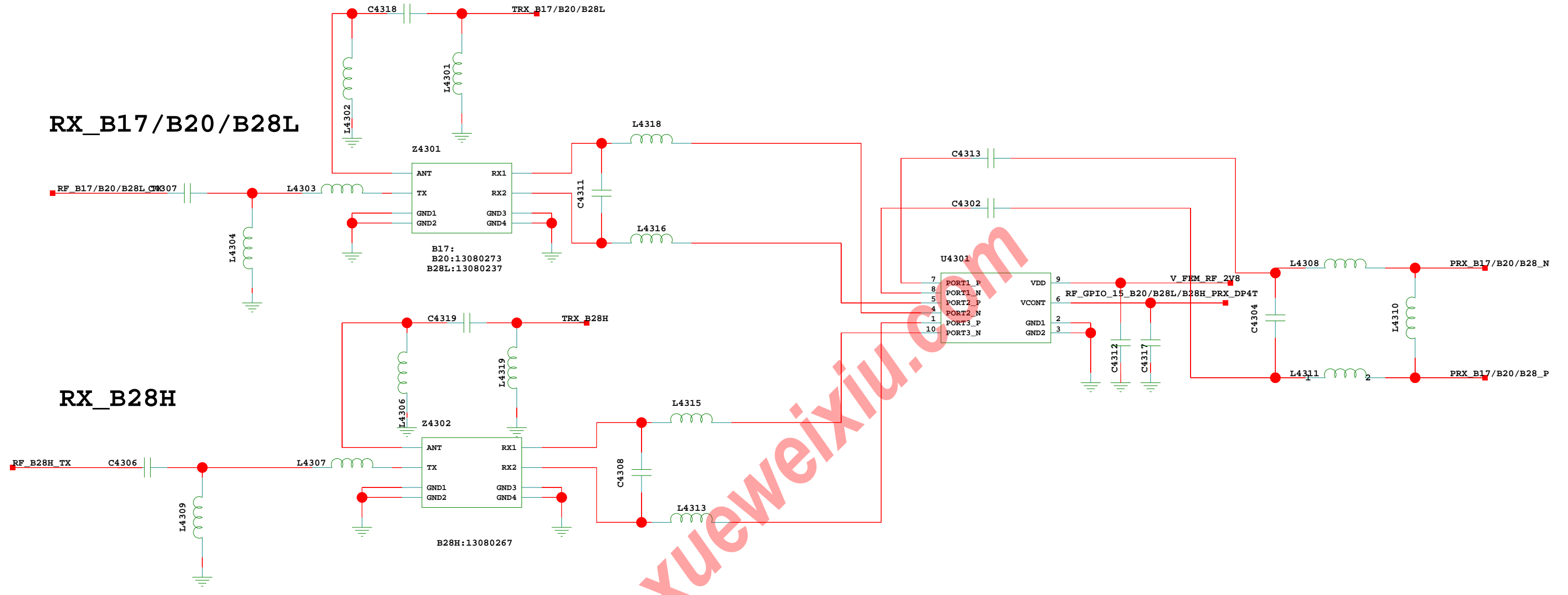
42-TRX 41



The type and specification of the components refer to the BOM

					2015.02.08
				ECA NO	DATE
DESIGNED	LIMIN 00128692	HL3ALICEM		03023ARE_SCHZH	
REVIEWED	QIUHONGBING 00248133				
		VER	PART_NUMBER	SHEET 42-TRX B419	
		F	03023ARE	HUAWEI TECH CO.,LTD.	

43-TRX B28/20/17

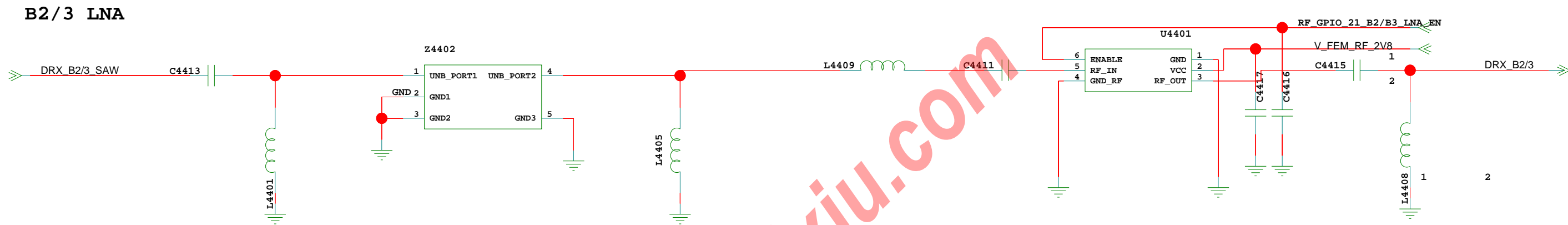


www.xuweiixiu.com

The type and specification of the components refer to the BOM

					2015.02.08
				ECA NO	DATE
DESIGNED	LIMIN 00128692				
				HL3ALICEM	03023ARE_SCHZH
REVIEWED	QIUHONGBING 00248133				
		VER	PART_NUMBER	SHEET	43-TRX B17/B20/B28/20
		F	03023ARE		HUAWEI TECH CO.,LTD.

44-DRX LNA B2/B3



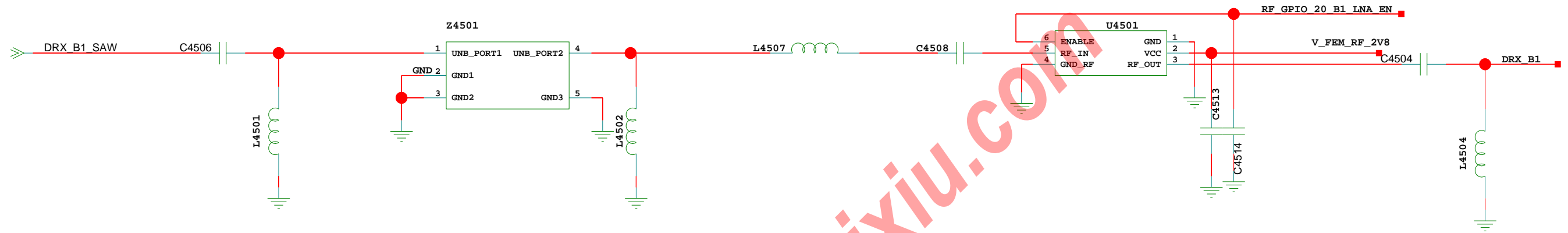
www.xueweixiu.com

The type and specification of the components refer to the BOM

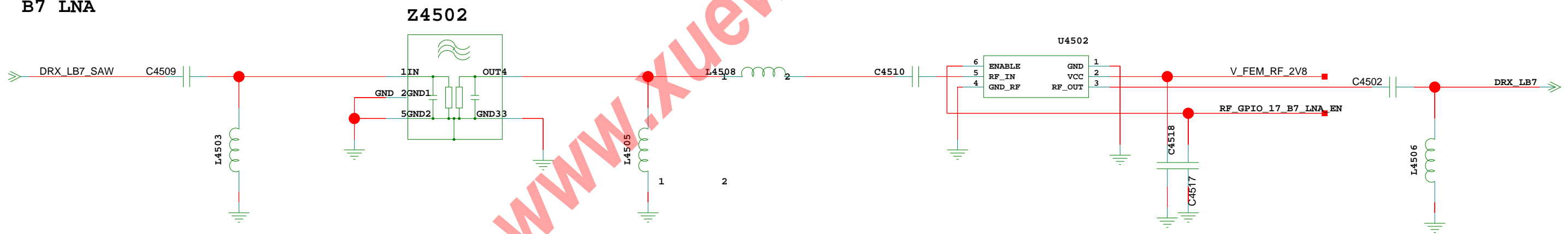
					2015.02.08
				ECA NO	DATE
DESIGNED	LIMIN 00128692	HL3ALICEM		03023ARE_SCHZH	
REVIEWED	QIUHONGBING 00248133				
		VER	PART_NUMBER	SHEET 44-DRX LNA B2/B3	
		F	03023ARE	HUAWEI TECH CO.,LTD.	

45-DRX LNA B7/1

B1 LNA



B7 LNA

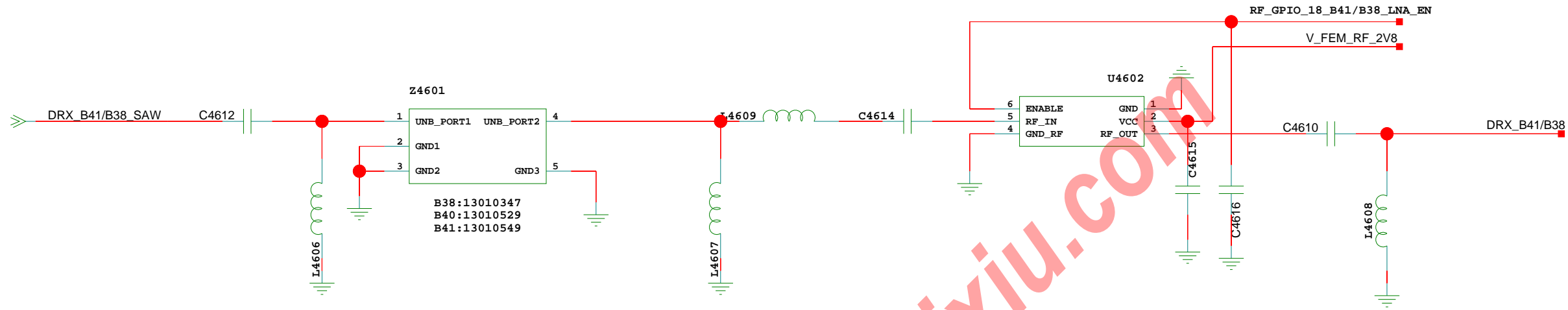


The type and specification of the components refer to the BOM

					2015.02.08
				ECA NO	DATE
DESIGNED	LIMIN 00128692	HL3ALICEM		03023ARE_SCHZH	
REVIEWED	QIUHONGBING 00248133				
		VER	PART_NUMBER	SHEET 45-DRX LNA B7/1	
		F	03023ARE	HUAWEI TECH CO.,LTD.	

46-DRX LNA B38/B41

B38/B41 LNA



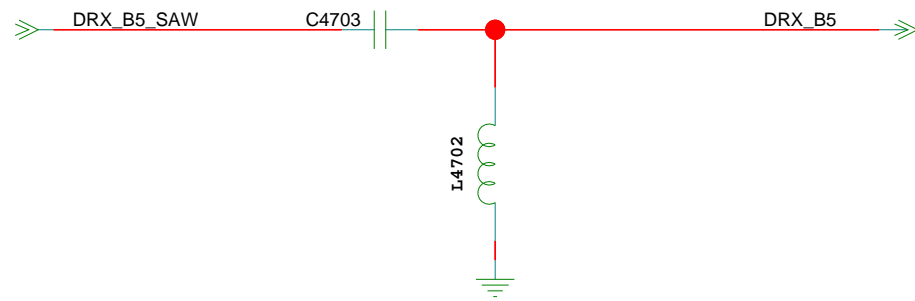
www.xueweixiu.com

The type and specification of the components refer to the BOM

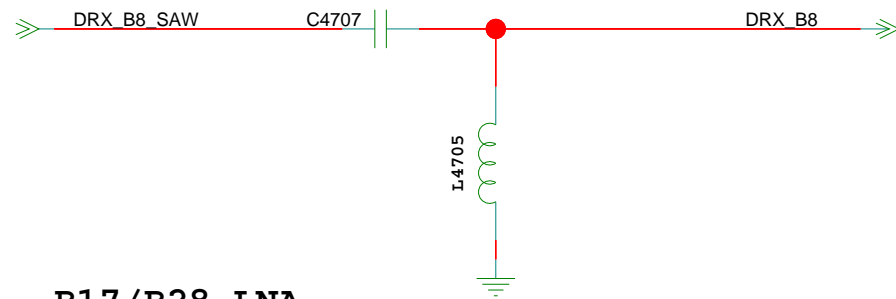
					2015.02.08
				ECA NO	DATE
DESIGNED	LIMIN 00128692	HL3ALICEM		03023ARE_SCHZH	
REVIEWED	QIUHONGBING 00248133				
		VER	PART_NUMBER	SHEET 46-DRX LNA9B38/41	
		F	03023ARE	HUAWEI TECH CO.,LTD.	

47-DRX LNA B5/8/17/28

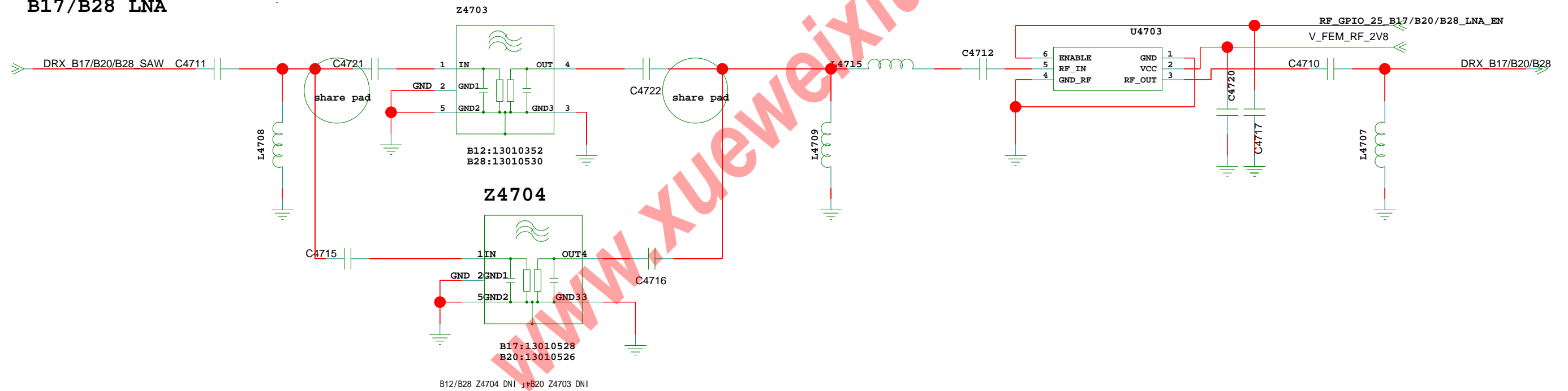
B5 LNA



B8 LNA



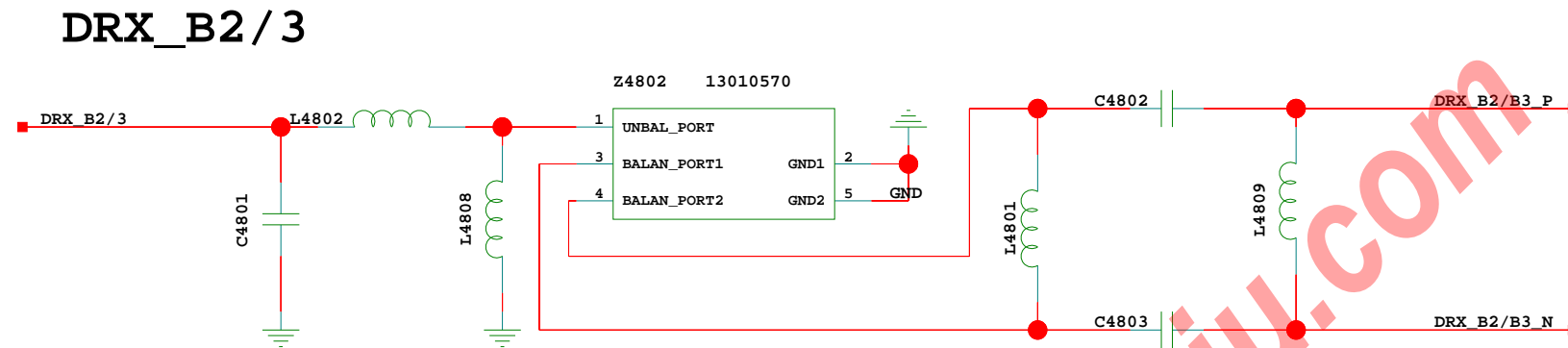
B17/B28 LNA



The type and specification of the components refer to the BOM

				27-03-2015_09:04
				2015.02.08
			ECA NO	DATE
DESIGNED		HL3ALICEM	03023ARE_SCHZH	
REVIEWED	QIUHONGBING 00248133			
		VER	PART_NUMBER	SHEET 47-DRX LNA B5/8/17/28
		F	03023ARE	HUAWEI TECH CO.,LTD.

48-DRX B2/3

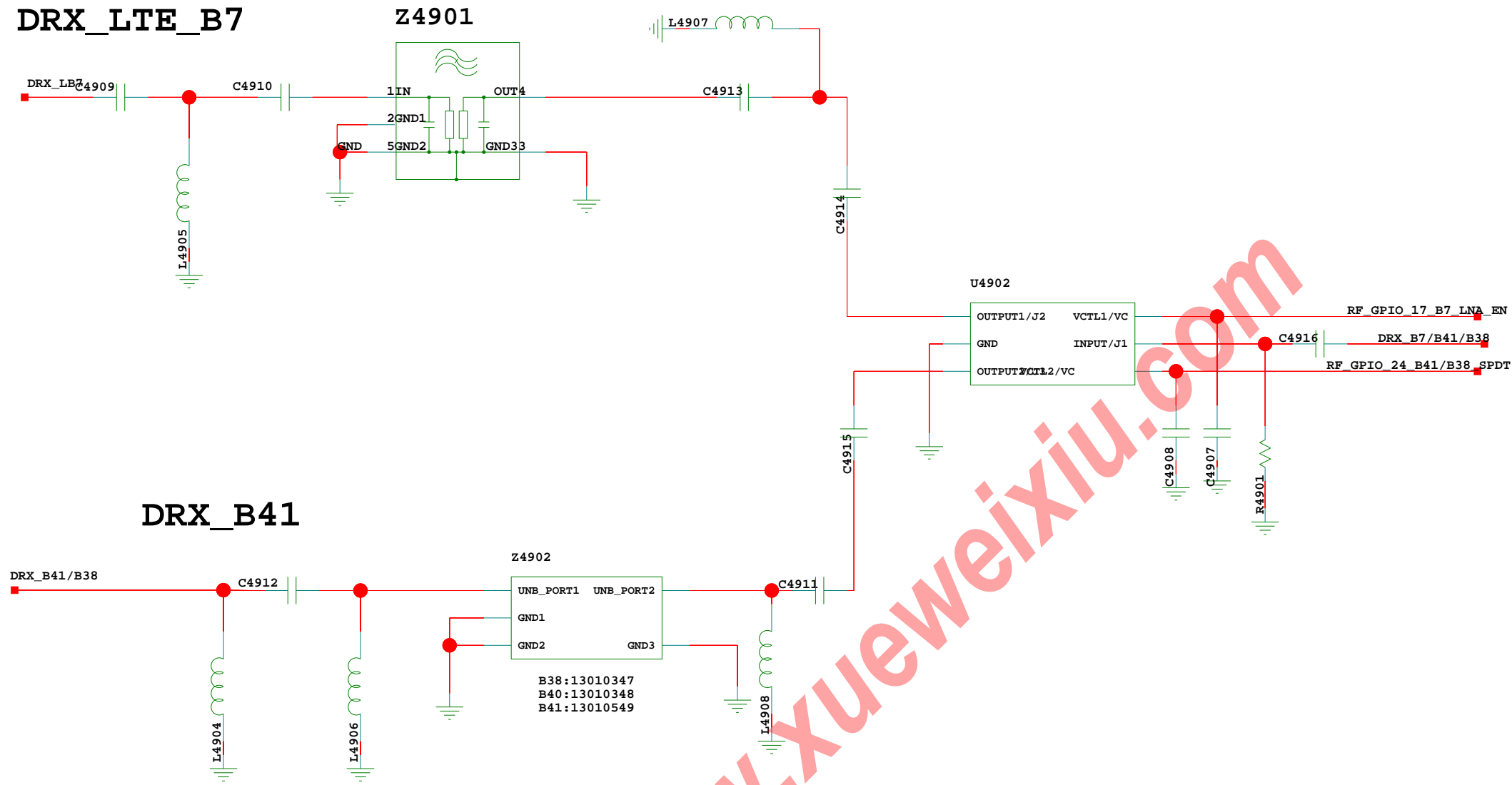


www.xuweiixiu.com

The type and specification of the components refer to the BOM

					2015.02.08
				ECA NO	DATE
DESIGNED	LIMIN 00128692	HL3ALICEM		03023ARE_SCHZH	
REVIEWED	QIUHONGBING 00248133				
		VER	PART_NUMBER	SHEET 48-DRX B2/3	
		F	03023ARE	HUAWEI TECH CO.,LTD.	

49-DRX B7

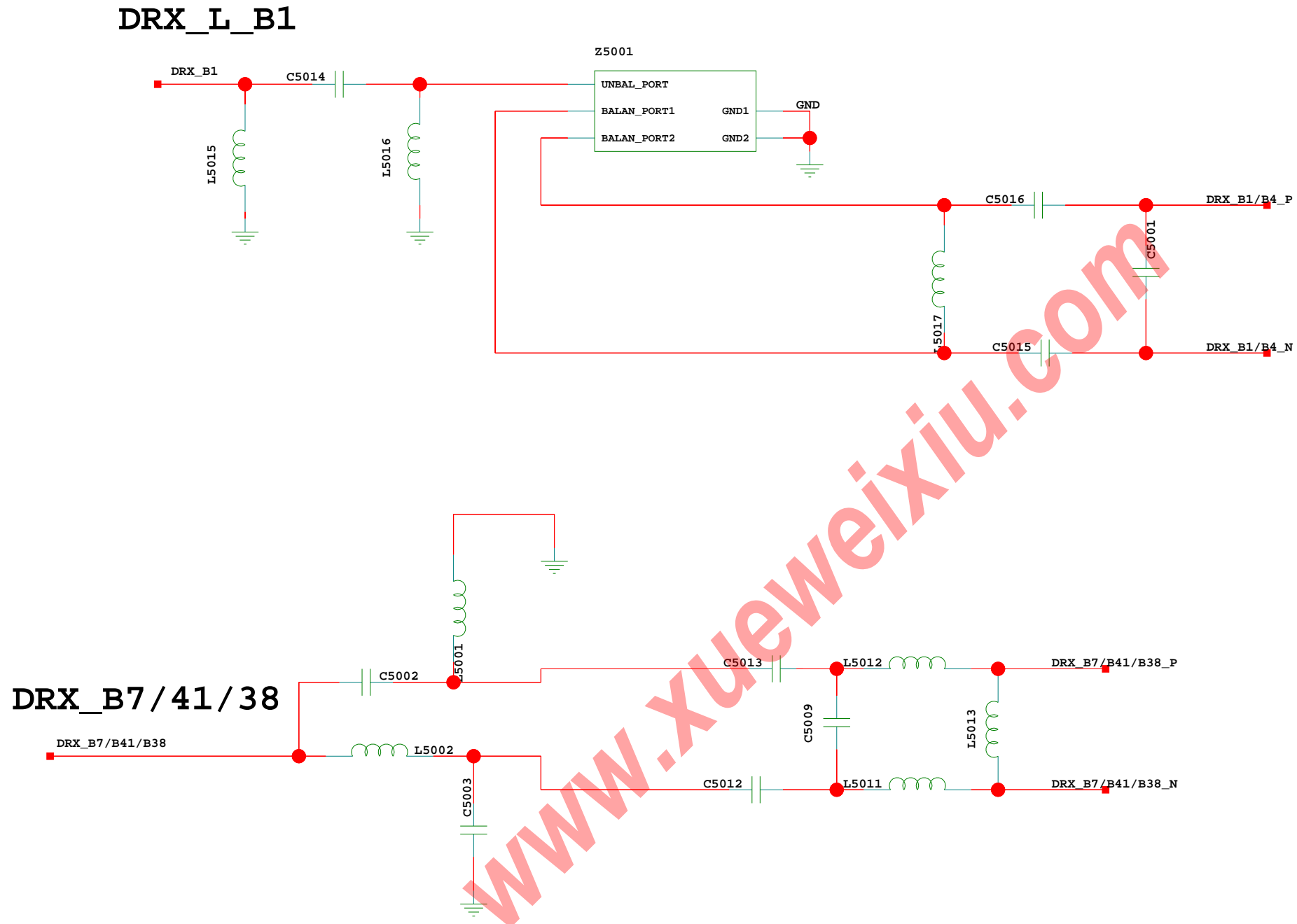


www.xuweiixiu.com

The type and specification of the components refer to the BOM

					2015.02.08
				ECA NO	DATE
DESIGNED	LIMIN 00128692				
				HL3ALICEM	03023ARE_SCHZH
REVIEWED	QIUHONGBING 00248133				
		VER	PART_NUMBER	SHEET	49-DRX B769
		F	03023ARE		HUAWEI TECH CO.,LTD.

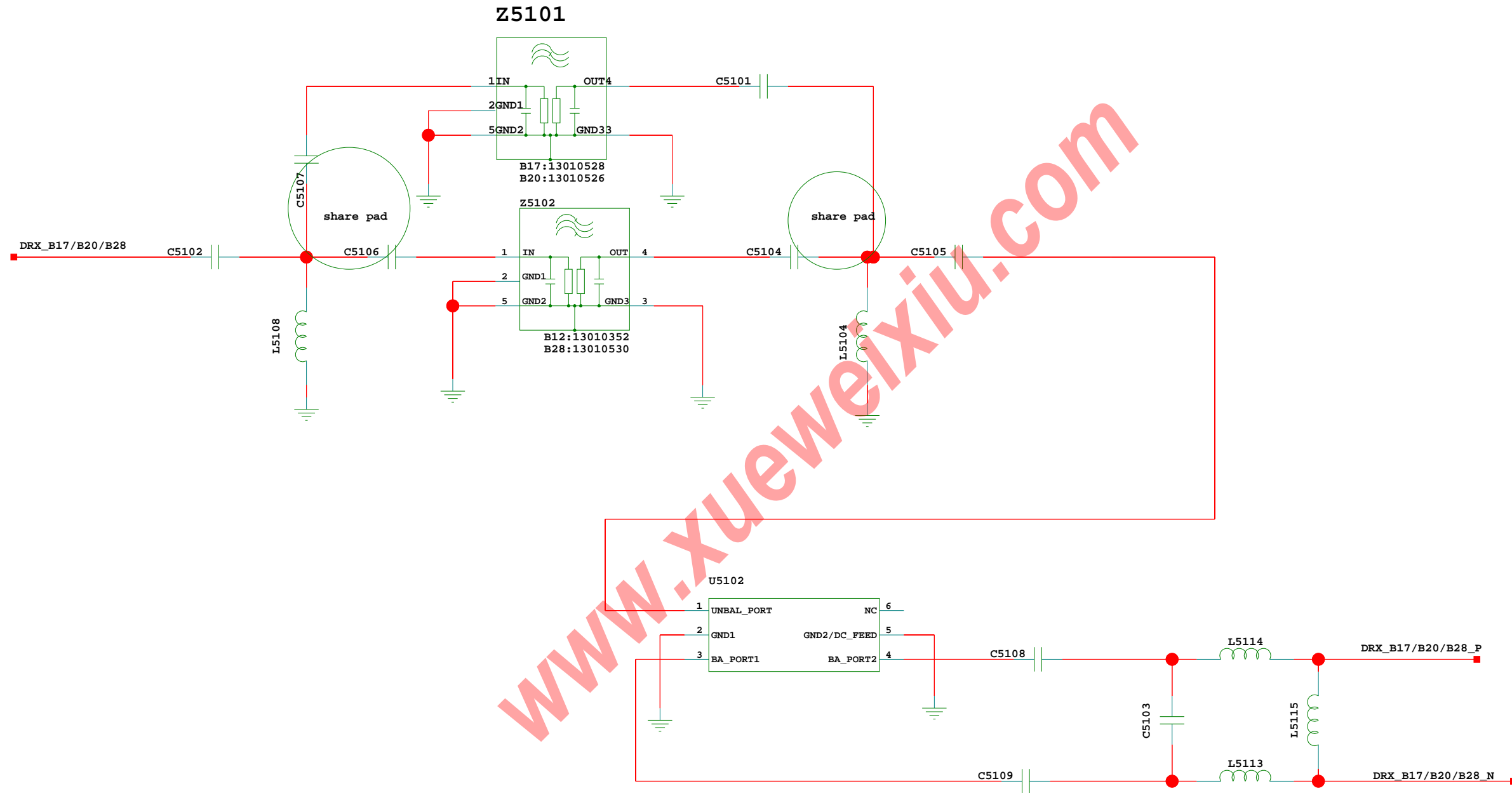
50-DRX 41/7/38



The type and specification of the components refer to the BOM

					2015.02.08
				ECA NO	DATE
DESIGNED	LIMIN 00128692	HL3ALICEM		03023ARE_SCHZH	
REVIEWED	QIUHONGBING 00248133				
		VER	PART_NUMBER	SHEET 50-DRX B41/38	
		F	03023ARE	HUAWEI TECH CO.,LTD.	

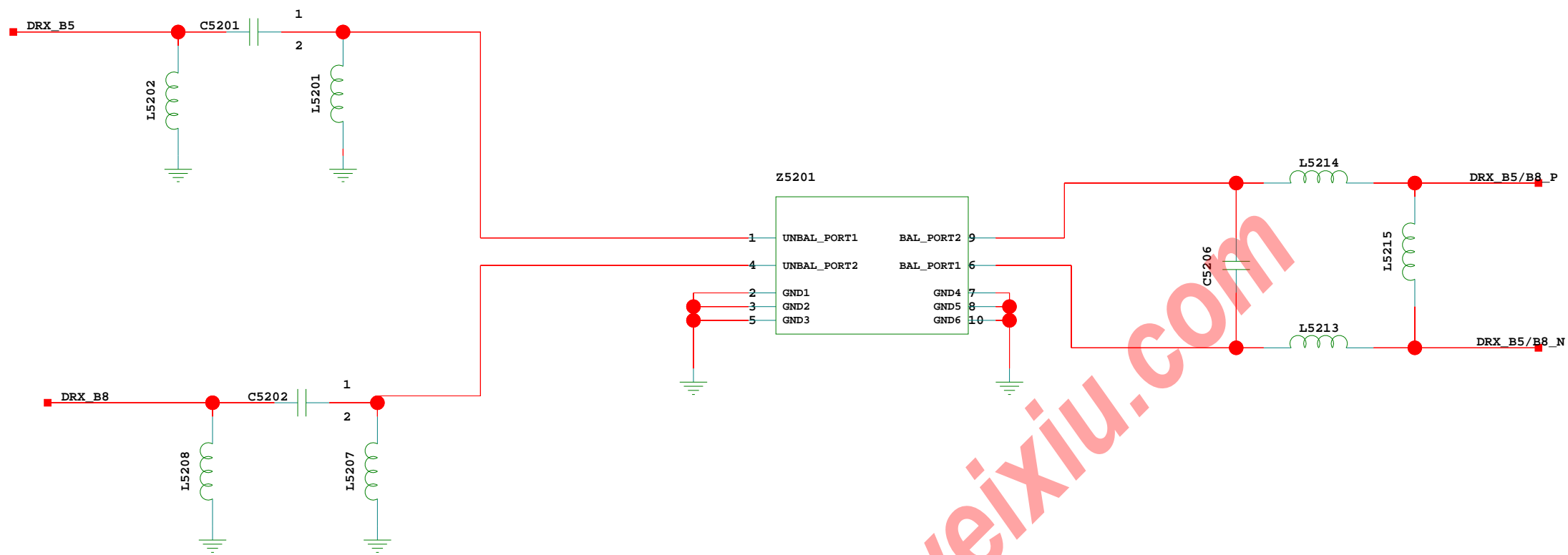
51-DRX B20/28/17



The type and specification of the components refer to the BOM

					2015.02.08
				ECA NO	DATE
DESIGNED	LIMIN 00128692	HL3ALICEM		03023ARE_SCHZH	
REVIEWED	QIUHONGBING 00248133				
		VER	PART_NUMBER	SHEET 51-DRX B20/28/17	
		F	03023ARE	HUAWAI TECH CO.,LTD.	

52-B5/8



www.xueweixiu.com

The type and specification of the components refer to the BOM

					2015.02.08
				ECA NO	DATE
DESIGNED	LIMIN 00128692	HL3ALICEM		03023ARE_SCHZH	
REVIEWED	QIUHONGBING 00248133				
		VER	PART_NUMBER	SHEET 52-DRX B5/B8	
		F	03023ARE	HUAWEI TECH CO.,LTD.	

53-Reserved

www.xueweixiu.com

The type and specification of the components refer to the BOM

					2015.02.08
				ECA NO	DATE
DESIGNED	LIMIN 00128692	HL3ALICEM		03023ARE_SCHZH	
REVIEWED	QIUHONGBING 00248133				
		VER	PART_NUMBER	SHEET 53-Reserved	
		F	03023ARE	HUAWEI TECH CO.,LTD.	

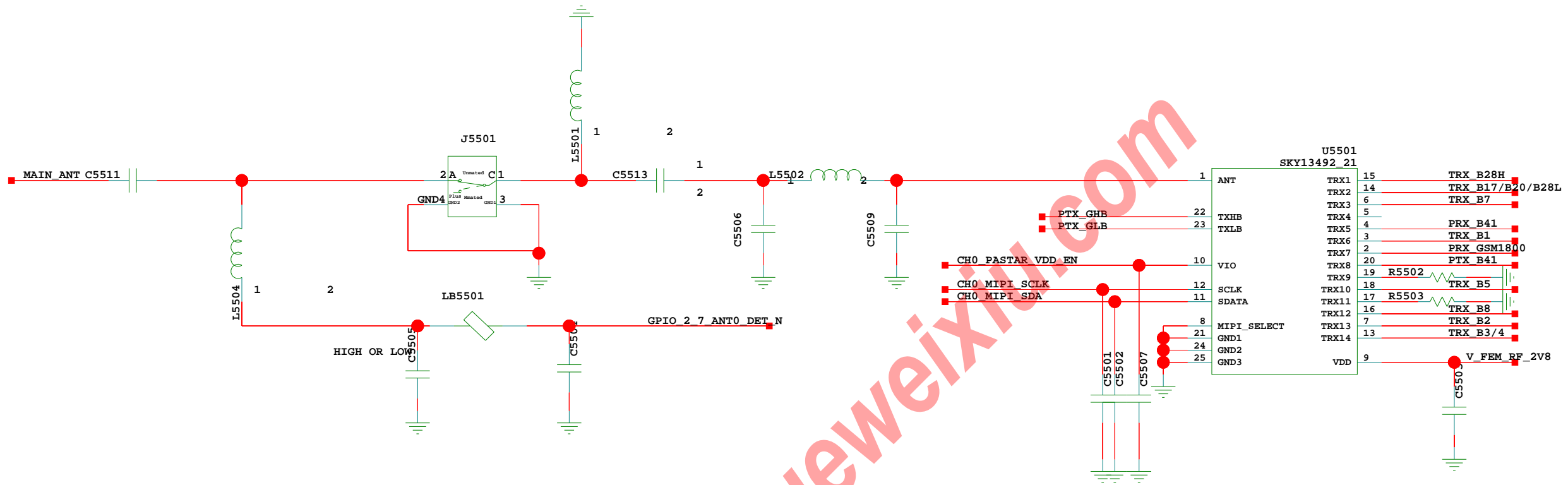
54-Reserved

www.xueweixiu.com

The type and specification of the components refer to the BOM

					2015.02.08
				ECA NO	DATE
DESIGNED	LIMIN 00128692	HL3ALICEM		03023ARE_SCHZH	
REVIEWED	QIUHONGBING 00248133				
		VER	PART_NUMBER	SHEET	54-Reserved
		F	03023ARE	HUAWEI TECH CO.,LTD.	

55-RF Front End Main Ant Switch



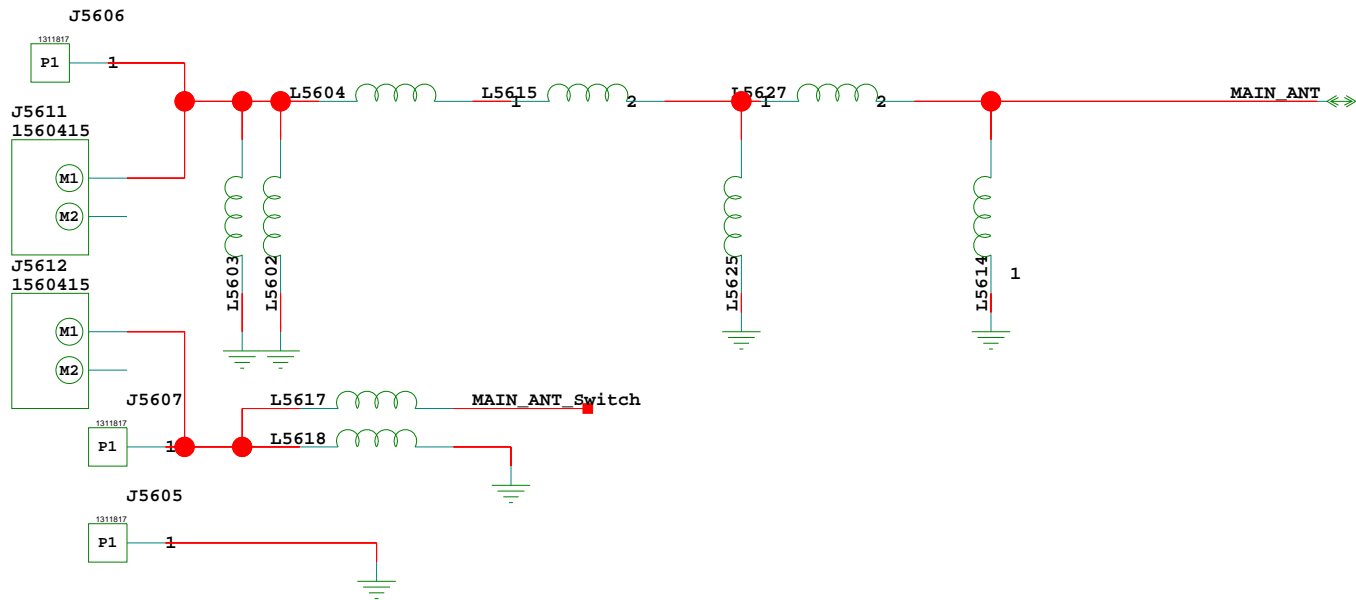
www.xuweiix.com

The type and specification of the components refer to the BOM

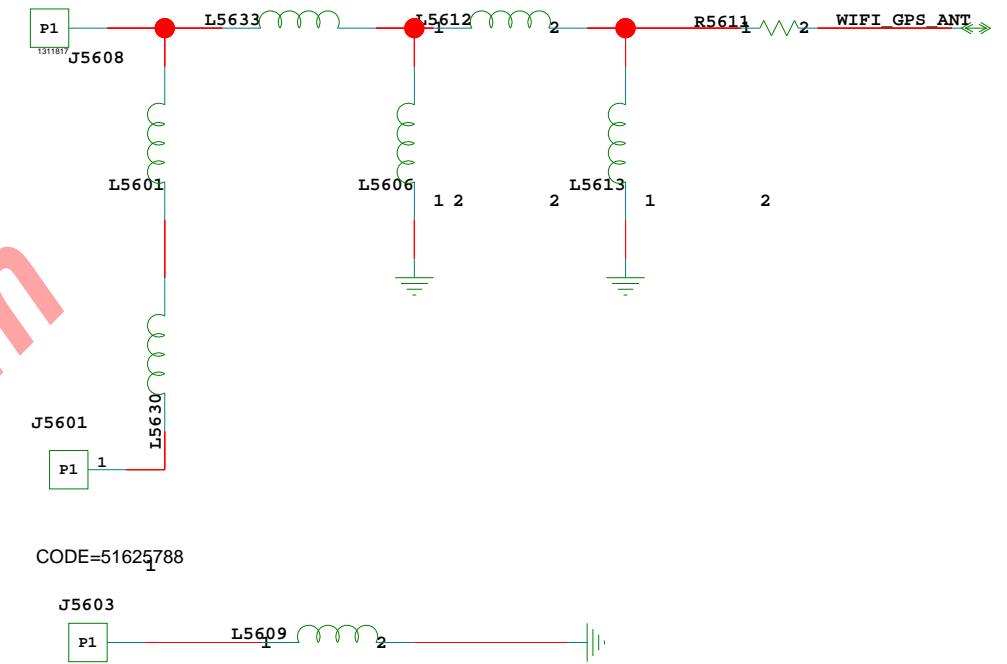
					2015.02.08
				ECA NO	DATE
DESIGNED	LIMIN 00128692	HL3ALICEM		03023ARE_SCHZH	
REVIEWED	QIUHONGBING 00248133				
		VER	PART_NUMBER	SHEET 55-RF Front End Ant Switch	
		F	03023ARE	HUAWEI TECH CO.,LTD.	

56-RF Front End ANT Matching

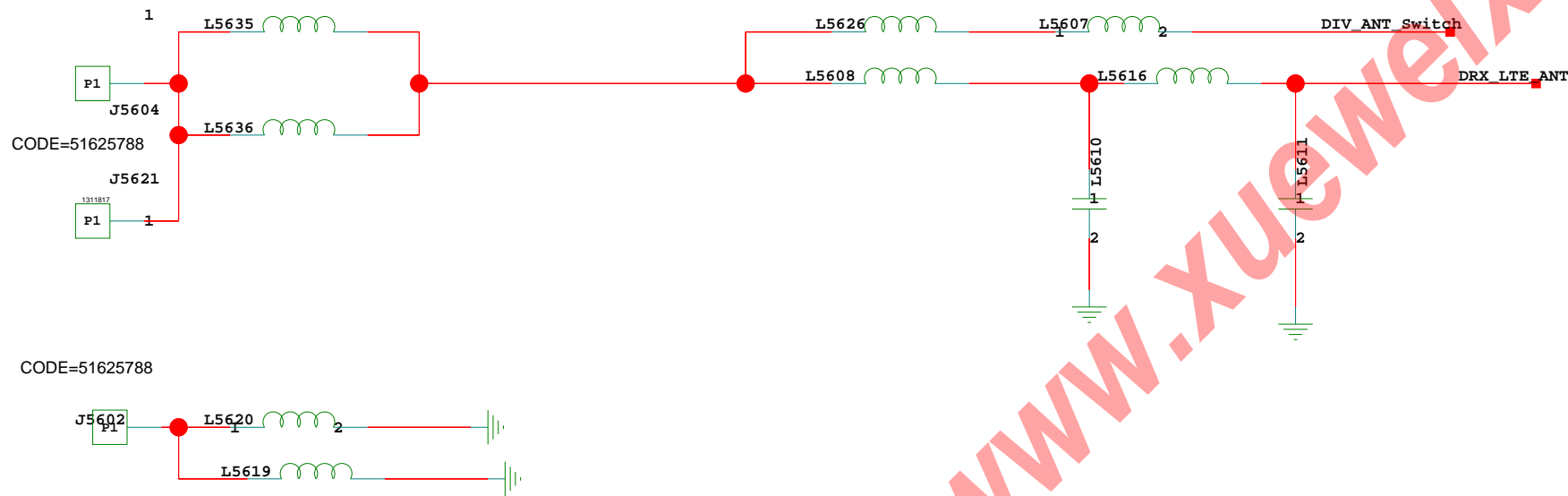
Main ANT



WIFI/GPS ANT



DIV ANT2

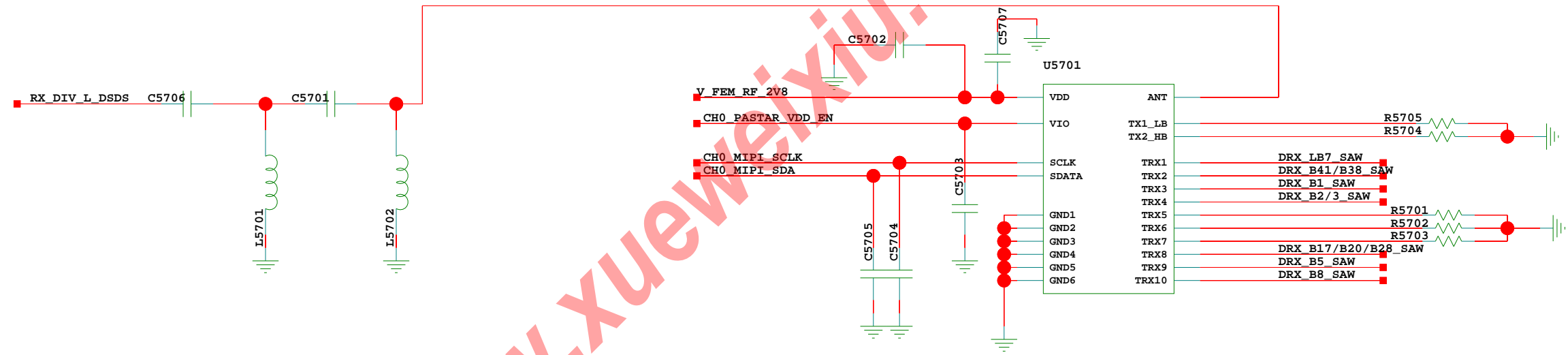


www.xuweiixiu.com

The type and specification of the components refer to the BOM

					2015.02.08
				ECA NO	DATE
DESIGNED	LIMIN 00128692	HL3ALICEM		03023ARE_SCHZH	
REVIEWED	QIUHONGBING 00248133	VER	PART_NUMBER	SHEET 56-ANT Mat69	
		F	03023ARE	HUAWEI TECH CO.,LTD.	

57-RF Front End Div Ant Switch

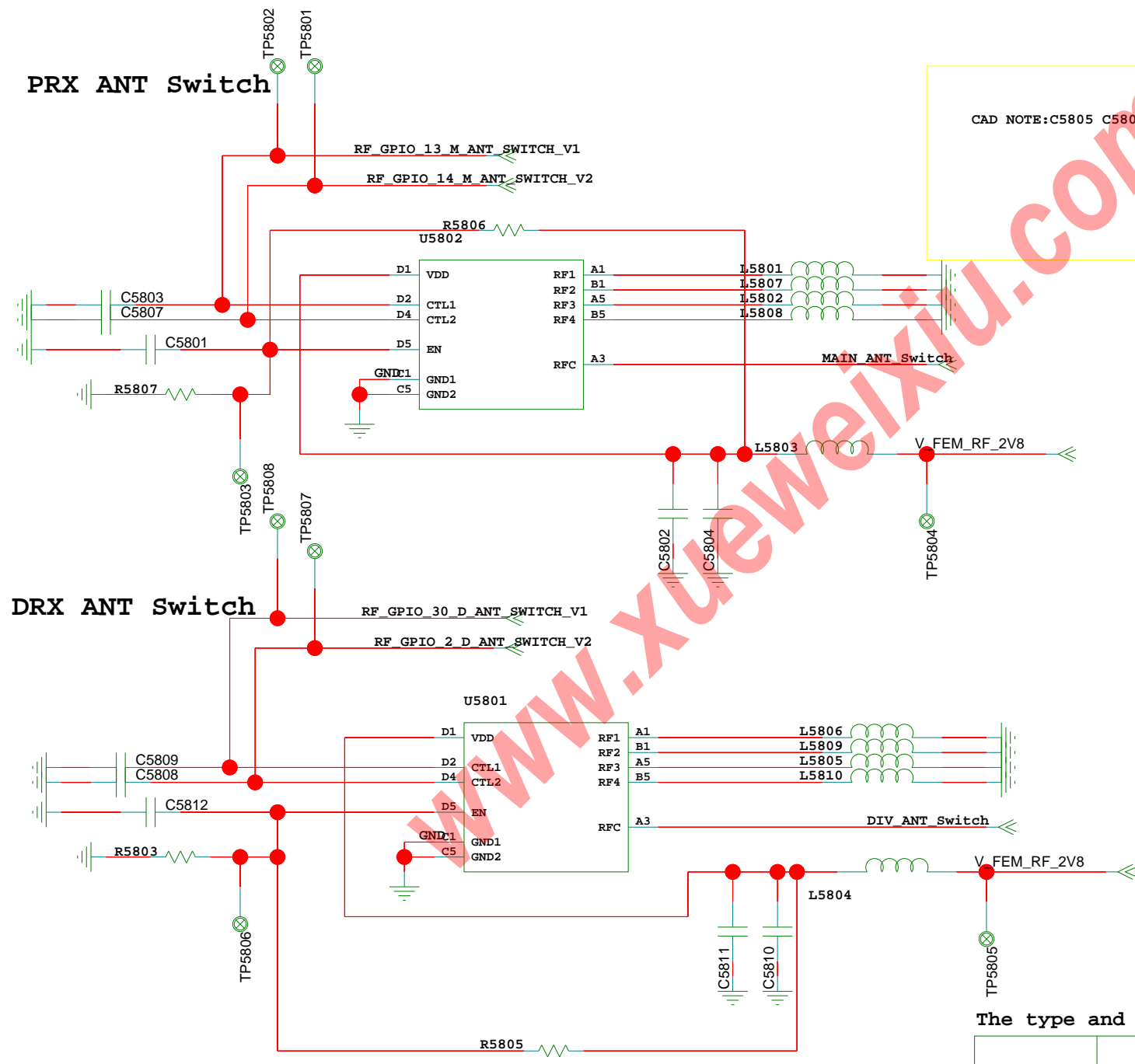


www.xuewenxiu.com

The type and specification of the components refer to the BOM

					2015.02.08
				ECA NO	DATE
DESIGNED	LIMIN 00128692	HL3ALICEM		03023ARE_SCHZH	
REVIEWED	QIUHONGBING 00248133				
		VER	PART_NUMBER	SHEET 57-DRF An69Switch	
		F	03023ARE	HUAWEI TECH CO.,LTD.	

58-RF Front End Ant Tunner



CAD NOTE: C5805 C5806 be used for U5802 protection purpose

The type and specification of the components refer to the BOM

					2015.02.08
				ECA NO	DATE
DESIGNED	LIMIN 00128692	HL3ALICEM		03023ARE_SCHZH	
REVIEWED	QIUHONGBING 00248133				
		VER	PART_NUMBER	SHEET 58-ANT Tunner	
		F	03023ARE	HUAWEI TECH CO.,LTD.	

59-Reserved

www.xueweixiu.com

The type and specification of the components refer to the BOM

					2015.02.08
				ECA NO	DATE
DESIGNED	LIMIN 00128692	HL3ALICEM		03023ARE_SCHZH	
REVIEWED	QIUHONGBING 00248133				
		VER	PART_NUMBER	SHEET 59-Reserved	
		F	03023ARE	HUAWEI TECH CO.,LTD.	

60-Reserved

www.xueweixiu.com

The type and specification of the components refer to the BOM

					2015.02.08
				ECA NO	DATE
DESIGNED	LIMIN 00128692	HL3ALICEM		03023ARE_SCHZH	
REVIEWED	QIUHONGBING 00248133				
		VER	PART_NUMBER	SHEET 60-Reserved	
		F	03023ARE	HUAWEI TECH CO.,LTD.	

61-Reserved

A

A

B

B

C

C

D

D

www.xueweixiu.com

The type and specification of the components refer to the BOM

					2015.02.08
				ECA NO	DATE
DESIGNED				03023ARE_SCHZH	
REVIEWED	QIUHONGBING 00248133			03023ARE_SCHZH	
		VER	PART_NUMBER	SHEET 61-Reserved	
		F	03023ARE	HUAWEI TECH CO.,LTD.	

62-Reserved

A

A

B

B

C

C

D

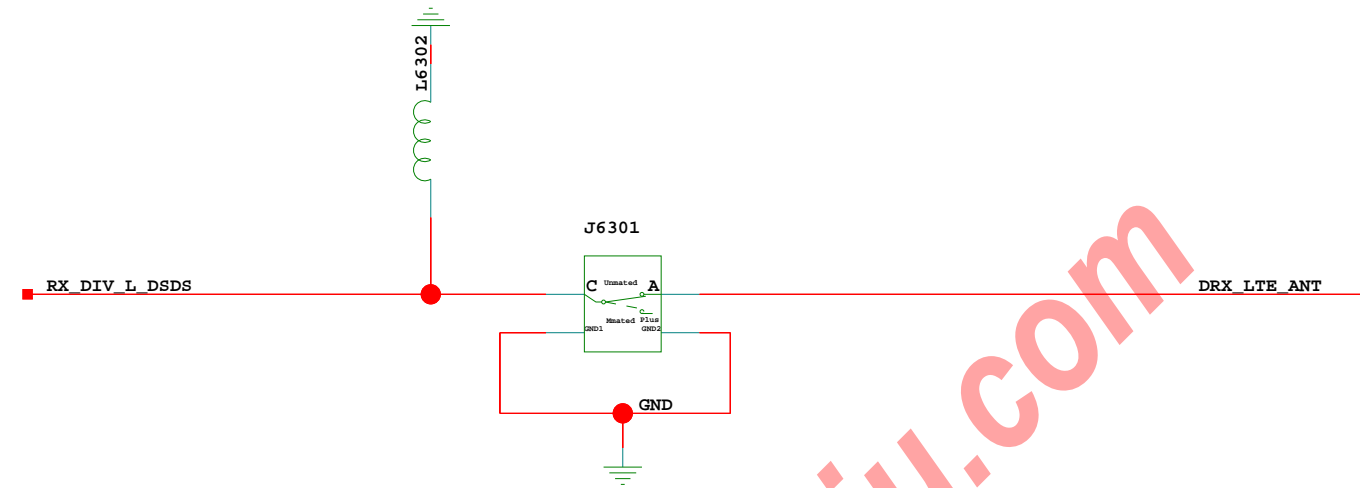
D

www.xueweixiu.com

The type and specification of the components refer to the BOM

					2015.02.08
				ECA NO	DATE
DESIGNED	LIMIN 00128692	HL3ALICEM		03023ARE_SCHZH	
REVIEWED	QIUHONGBING 00248133				
		VER	PART_NUMBER	SHEET 62-Reserved	
		F	03023ARE	HUAWEI TECH CO.,LTD.	

63-RF Front End Div Ant Switch



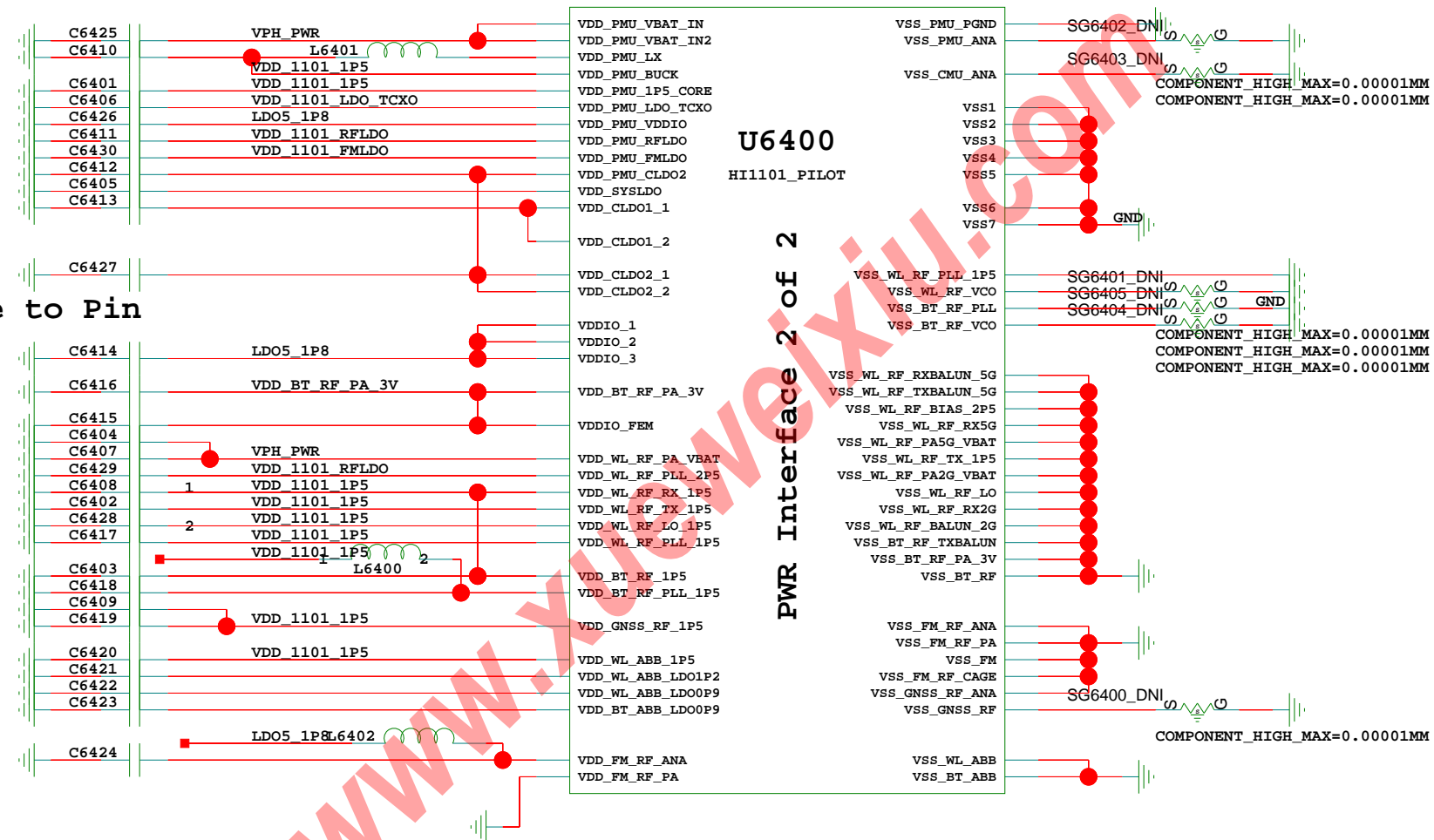
www.xuweiixiu.com

The type and specification of the components refer to the BOM

					2015.02.08
				ECA NO	DATE
DESIGNED	LIMIN 00128692	HL3ALICEM		03023ARE_SCHZH	
REVIEWED	QIUHONGBING 00248133				
		VER	PART_NUMBER	SHEET 63-DDF An69Switch	
		F	03023ARE	HUAWEI TECH CO.,LTD.	

64.BT/WLAN/FM/GPS

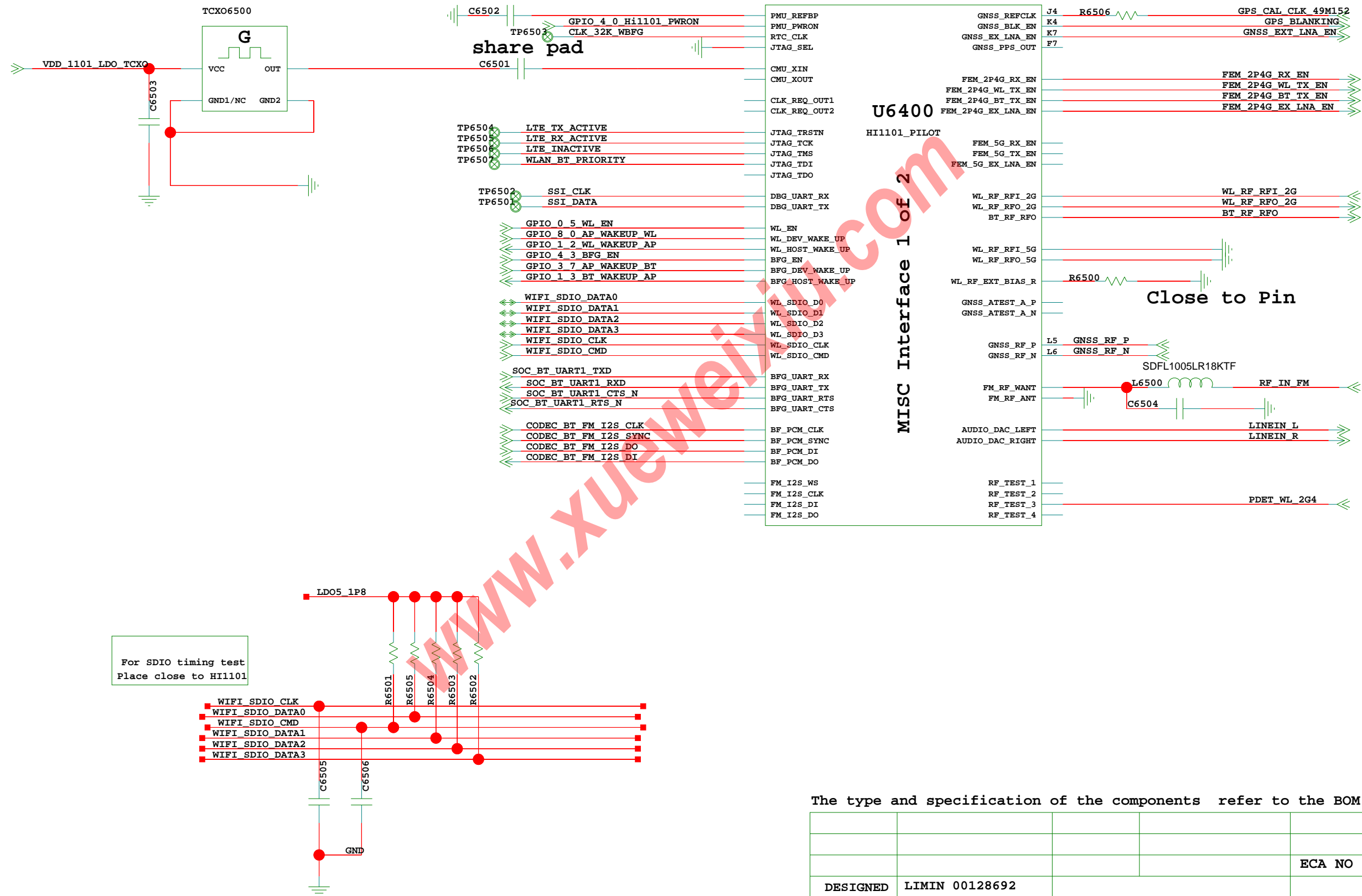
All caps close to Pin



The type and specification of the components refer to the BOM

					2015.02.08
				ECA NO	DATE
DESIGNED	LIMIN 00128692	HL3ALICEM		03023ARE_SCHZH	
REVIEWED	QIUHONGBING 00248133	VER	PART_NUMBER	SHEET 64-BT/WLAN/FM/GPS	
		F	03023ARE	HUAWEI TECH CO.,LTD.	

65. BT/WLAN/FM/GPS

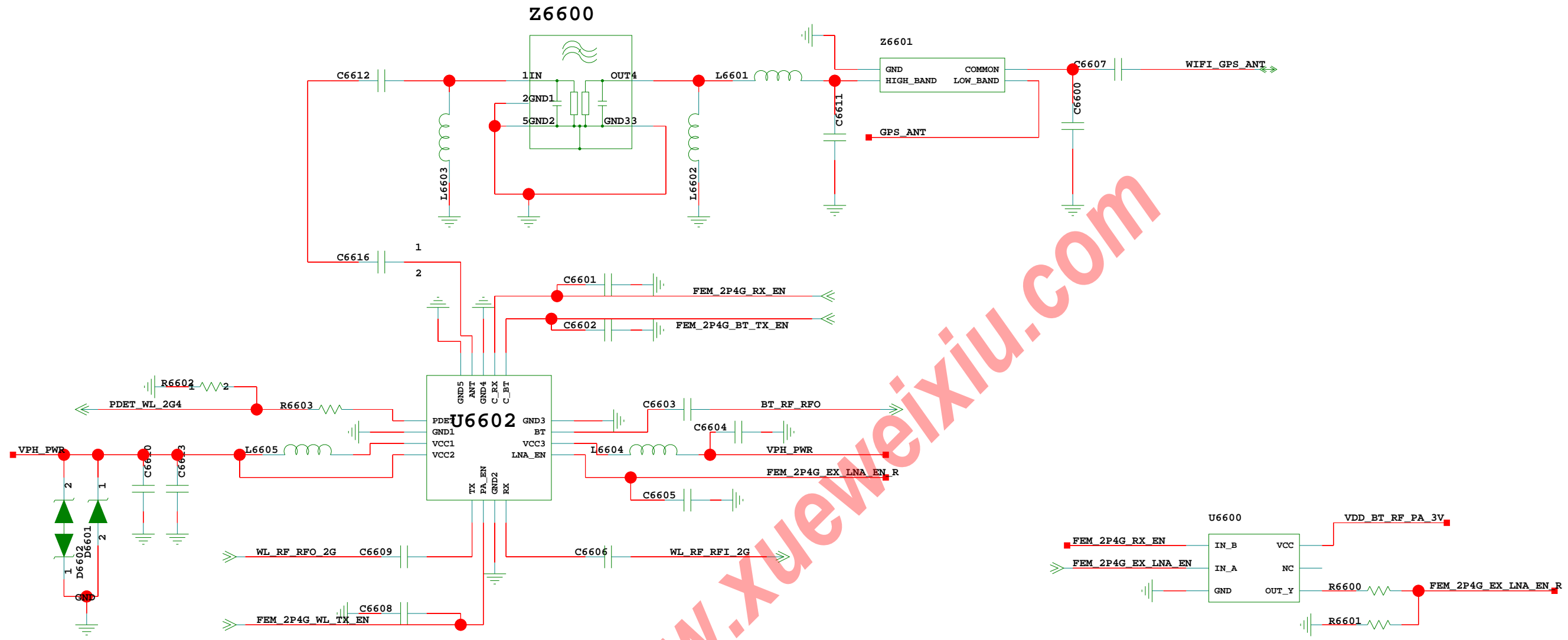


For SDIO timing test
Place close to HI1101

The type and specification of the components refer to the BOM

					2015.02.08
				ECA NO	DATE
DESIGNED	LIMIN 00128692	HL3ALICEM		03023ARE_SCHZH	
REVIEWED	QIUHONGBING 00248133				
		VER	PART_NUMBER	SHEET 65-BD/WLAN/FM/GPS	
		F	03023ARE	HUAWEI TECH CO.,LTD.	

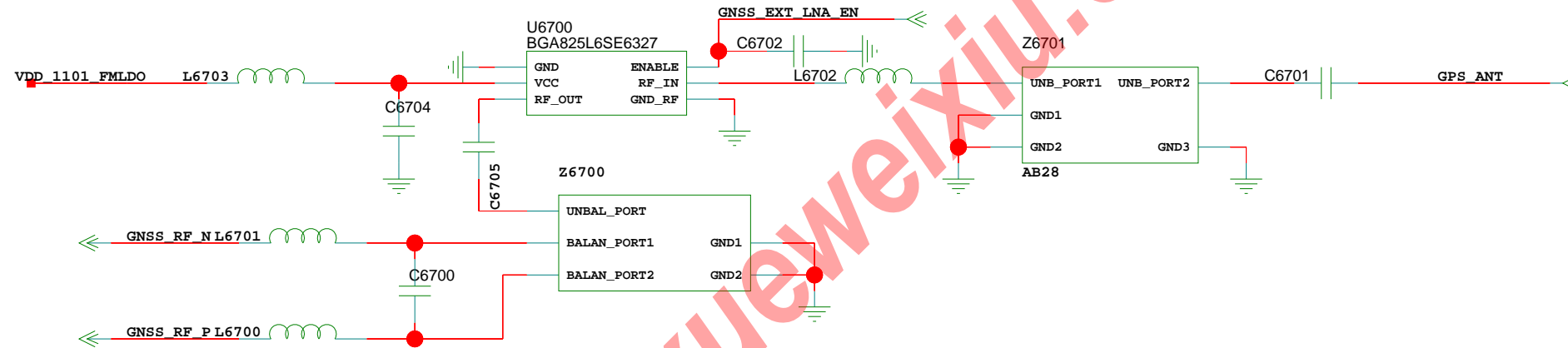
66-WIFI RF Front End



The type and specification of the components refer to 2015 BOM.08

				03023ARE	DATE
DESIGNED	LIMIN 00128692				
REVIEWED	QIUHONGBING 00248133				
		VER	PART_NUMBER	SHEET 66-WIFI Front End	
		F	03023ARE	HUAWEI TECH CO.,LTD.	

67-Reserved



The type and specification of the components refer to the BOM

					2015.02.08
				ECA NO	DATE
DESIGNED	LIMIN 00128692	HL3ALICEM		03023ARE_SCHZH	
REVIEWED	QIUHONGBING 00248133				
		VER	PART_NUMBER	SHEET 67- GD Fr6 at End	
		F	03023ARE	HUAWAI TECH CO.,LTD.	

68.Reserved

A

A

B

B

C

C

D

D

www.xueweixiu.com

The type and specification of the components refer to the BOM

					2015.02.08
				ECA NO	DATE
DESIGNED	LIMIN 00128692	HL3ALICEM		03023ARE_SCHZH	
REVIEWED	QIUHONGBING 00248133				
		VER	PART_NUMBER	SHEET 68-Reserved	
		F	03023ARE	HUAWEI TECH CO.,LTD.	

69.Reserved

A

A

B

B

C

C

D

D

www.xueweixiu.com

The type and specification of the components refer to the BOM

					2015.02.08
				ECA NO	DATE
DESIGNED	LIMIN 00128692	HL3ALICEM		03023ARE_SCHZH	
REVIEWED	QIUHONGBING 00248133				
		VER	PART_NUMBER	SHEET 69-Reserved	
		F	03023ARE	HUAWEI TECH CO.,LTD.	